

(1) Back

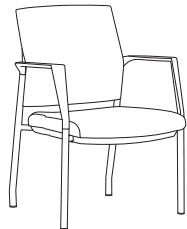


(2) Base

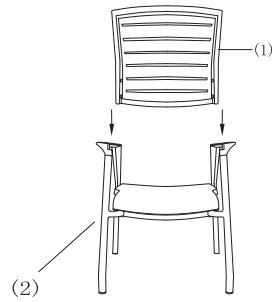


(3)

1. x4 6X16MM
2. x4
3. x4
4. x4
5. x1 4MM

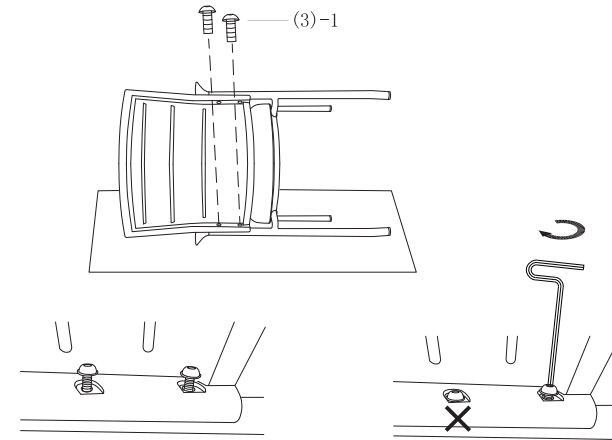


A



B

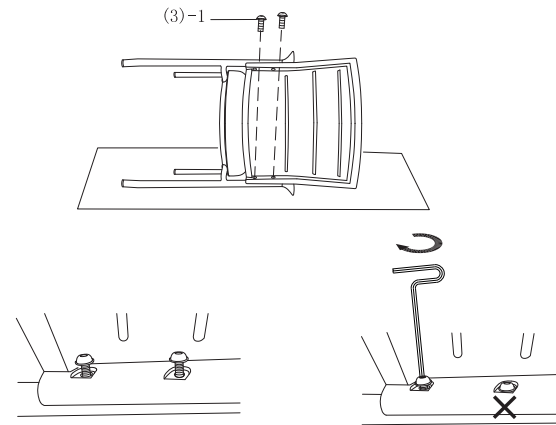
Place the chair sideways to install.



Point the screw at the holes, twist it with hand.

Then use the wrench to turn clockwise but not tighten.

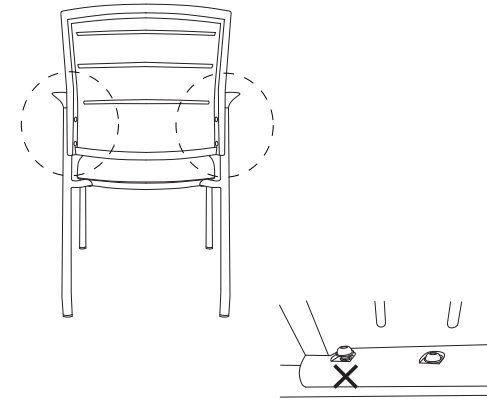
C



Point the screw at the holes, twist it with hand.

Then use the wrench to turn clockwise but not tighten.

D



Tighten four screws in diagonal order.

NOTES

Check to be sure that you have all parts and hardware.
Remove all wrapping materials, including staples, and packing straps before you start to assemble.
Keep all hardware parts out of reach of children.