

compel[®]



HiLo Collection

HiLo Table in White with Basic White Top
HiLo Hub in White
Lucky Chair in Cadet Mesh and Sport Mercury Fabric

HiLo Table



HiLo Base

Features

Telescoping Functionality to Accommodate Surfaces from 48" to 72" Wide and 24" to 30" Deep

Programmable Handset

Height Range: 24" - 49.7"

Weight Capacity: 350lbs

Options

2 or 3 Leg

Frame: White, Black or Silver

In-Stock Surfaces: Basic White, Grey Ash, American Cherry or Café

Made-to-Order Surfaces: Any Wilsonart or Formica Laminate

HiLo Hub

Features

2 Data Knock Outs Per User

4 Outlets Per User

20" High, 2" Deep

48", 60" and 72" Lengths

Options

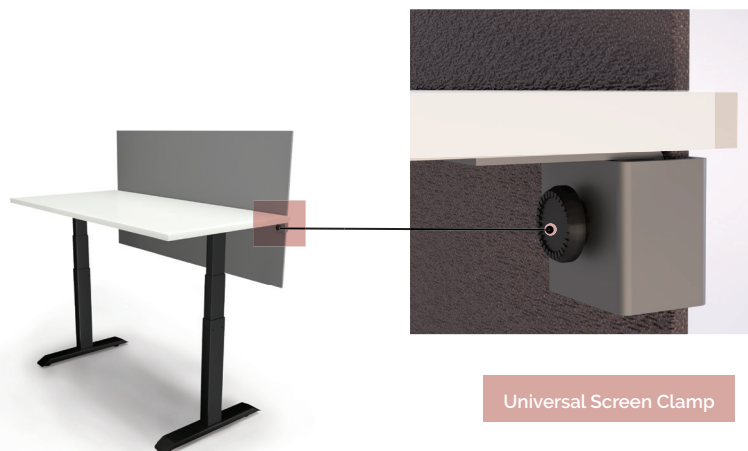
National and Chicago Code Power

Frame: White, Black or Silver

In-Stock Surfaces: Basic White, Grey Ash, American Cherry or Café

Made-to-Order Surfaces: Any Wilsonart or Formica Laminate

Tackable Fabric Screens in any Grade 1, 2 or 3 Fabric in 28", 34" and 40" Heights and 48", 60" and 72" Widths



Universal Screen Clamp

HiLo Benching

HiLo Table

Compel's HiLo Table is the perfect height adjustable solution for the demands of today's workforce. With a height range from 24" to 49.7", a lifting capacity of 350 lbs, and a quiet-as-a-mouse decibel level of 32.

HiLo Hub

The HiLo Hub is the perfect addition to your HiLo Table. This hub brings power and data to individual HiLo Tables and provides privacy when utilized with optional fabric screens.



HiLo Table in Black with Grey Ash Top
HiLo Hub in Black / Mobile Ped in Black / Dot in Persimmon / Lucky with Celeste Mesh Tackable Fabric Screen, Ped Cushion and Lucky Cushion in Fuse Pristine

HiLo Benching

HiLo Desking

Whether in a private office or open floor plan, HiLo Desking provides quick, quiet and quality height adjustability. The Universal Screen Clamp is a simple and secure way to add privacy with fabric and acrylic screens for above and below the surface.

Select either two or three leg options to best suit your needs. Pair with any In-Stock or Made-to-Order work surface,



HiLo Table in Silver with Basic White Top / Pogo Stool in Flexi Alloy / Low Credenza in White Pivoit 42" Conference Table in Grey Ash
Sofie 4-Star Base in White Shell With Chrome Arms

HiLo Desking

Accessories

Tailor each workstation to the needs of the user with simple, yet highly functional, accessories.



Clamp-on Power

Clamp-on Power

Convenience is key with Compel's Clamp-on Power. Easily power multiple devices with 2 standard outlets and 2 USB ports. Adjustable clamp fits on any work surface and it's available in both Black and White to complement your aesthetic.

Wire Trough

Easily manage and conceal under-surface wires with Compel's Wire Trough. Flip down design with integrated grommets provides a tidy solution with easy access.

Vertebrae

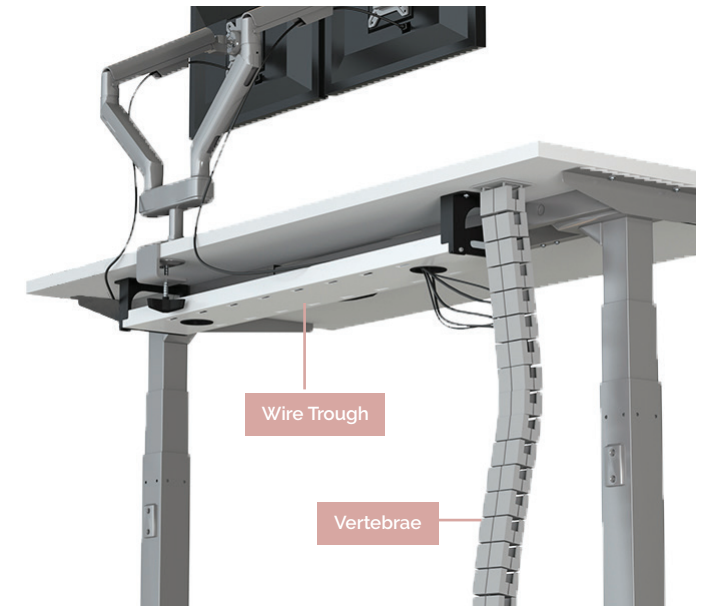
Safely and effectively manage power and data cords with the Compel Vertebrae. Flexibility enables smooth movements and no binding or pulling. Four channels and a flexible design allow the Vertebrae to safely and effectively manage power and data cords in both static and height adjustable applications. Available in both grey and white to blend into your workstation.

Monitor Arms

Compel Monitor Arms allow the user to position their screen at the perfect height and distance. The articulating arms support a wide range of flat-panel screens and gas cylinder action allows for easy adjustments as well as an enhanced ergonomic workspace. Single and dual arm options available

Features

- 360° Rotation / Supports up to 18 lbs
- VESA Quick Release Mount
- Wire Management Slot
- Includes Grommet & Clamp Mount



Wire Trough and Vertebrae



Slide-on Screen in Flexi Nautical

Slide-on Screen

Slide-on Screen

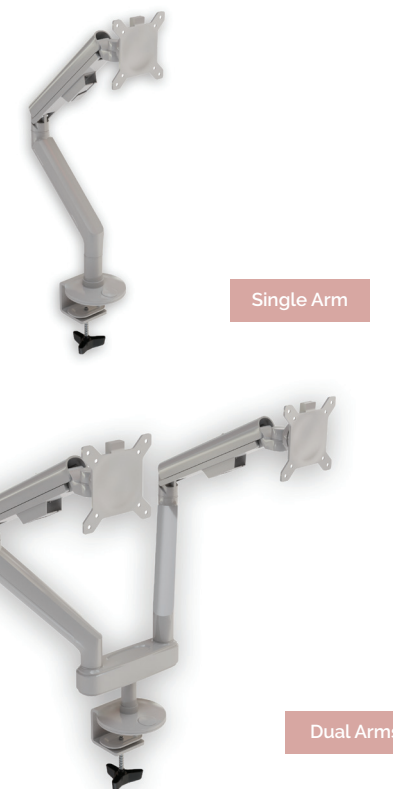
Simple, easy and attractive, this privacy screen slides onto the front of any standard surface to provide personal privacy to the user. And because it is not a fixed attachment, the user can reposition whenever they want. Make it a decor statement by reupholstering in any Grade 1, 2 or 3 fabric.

Universal Screen Clamp

The Universal Screen Clamp is a simple and secure way to add privacy with fabric and acrylic screens for above and below the surface. The design allows flexibility upon installation to get the desired privacy and modesty coverage.



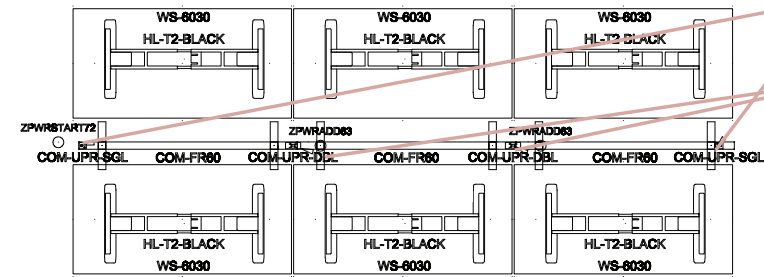
Universal Screen Clamp



Monitor Arms

HiLo Hub Guide

Power and data distributor for HiLo Benching



Single Upright on Each End of Run for Screens

Double Upright to connect-Adjacent Screens

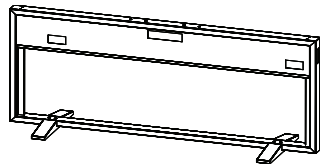
Power

1 Infeed (ZPWRSTART72) to Start a Run/Pack

1 Jumper (ZPWRADD) for Each Beam

Hub

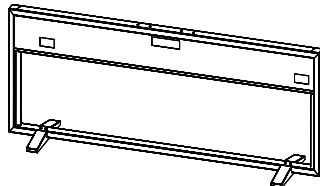
48" Hub



National Code Hub
\$1,382

National Code Infeed
\$650
National Code Jumper
\$384

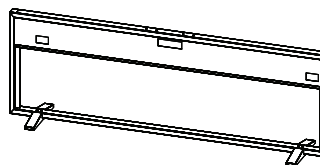
60" Hub



National Code Hub
\$1,473

National Code Infeed
\$650
National Code Jumper
\$384

72" Hub



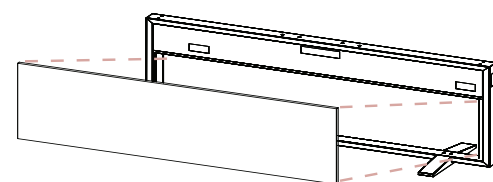
National Code Hub
\$1,564

National Code Infeed
\$650
National Code Jumper
\$384

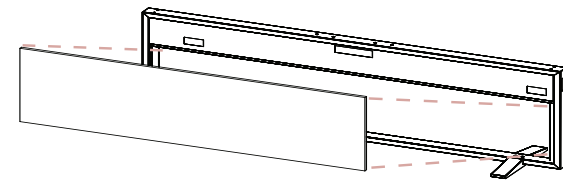
All HiLo Hubs are 20" High
Available in Black, White and Silver

Chicago Code Power Available

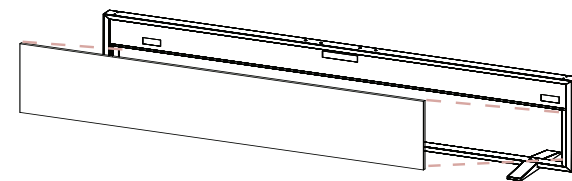
Laminate Hub Inserts



\$190 x 2



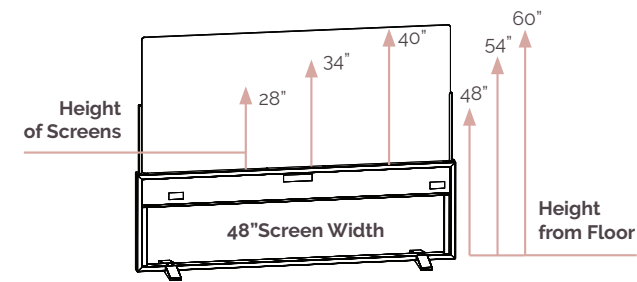
\$234 x 2



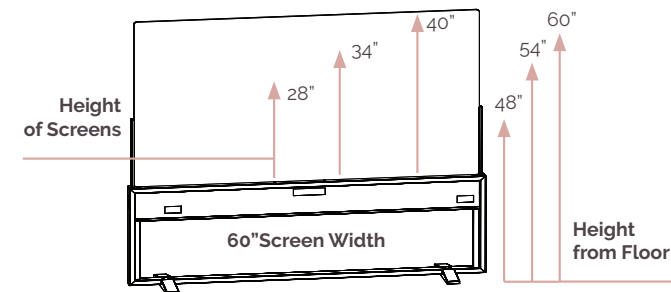
\$280 x 2

In-Stock Inserts Available in Grey Ash, Café, American Cherry and Basic White
Made-to-Order Surfaces in any Wilsonart or Formica Laminate

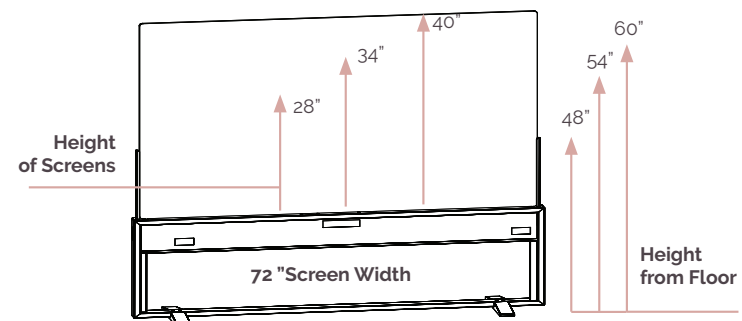
Bracket and Tackable Fabric Screen



28" - \$202
34" - \$269
40" - \$338



28" - \$370
34" - \$437
40" - \$504



28" - \$538
34" - \$605
40" - \$672

Screen Height	Height from Floor
28"	48"
34"	54"
40"	60"

Single Bracket \$136
Double Upright \$160

Screen Includes
Grade 1 Fabric

Grade 2 + \$45 each
Grade 3 + \$90 each

* List Pricing as of 9/1/19. Future pricing subject to change. Please confirm with Customer Care.

HiLo Tech Specs

Built in safety features	Soft Start and Stop, Overload and Overheat Protection Anti-Collision Sensors
Foot length in inches	27.5"
Foot leveling guide	4" Adjustment for Uneven Floors
Leg stage	3 Stage
Height range excluding top	Top 24" - 49.7"
Frame length expansion	42" - 73.6"
Top length - Range	48" - 72"
Minimum top length	44"
Top depth - Range	24" - 30"
Max lifting capacity	350 lbs
Base weight without top	70 lbs
Speed	1.5" per Second
Total stroke	25.7"
Standby consumption	0.1W
Noise	32 Decibels
Operating consumption	300W
Input voltage	100-240V AC
Output voltage	24V DC
Frequency	50 Hz
ANSI BIFMA	Meets or Exceeds
Warranty	10 Years Structural 5 Years Mechanical



HiLo Table in BLack with Café Top

Low Credenza in White with Faux Mo Merlot Cushion

Archer Executive Chair in Black Leather

* List Pricing as of 9/1/19. Future pricing subject to change. Please confirm with Customer Care.