
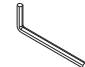

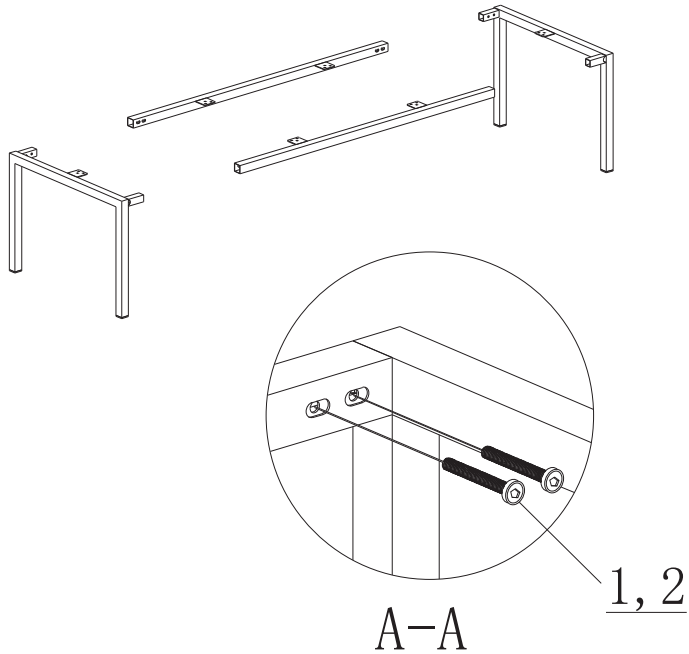


Mia Coffee Table

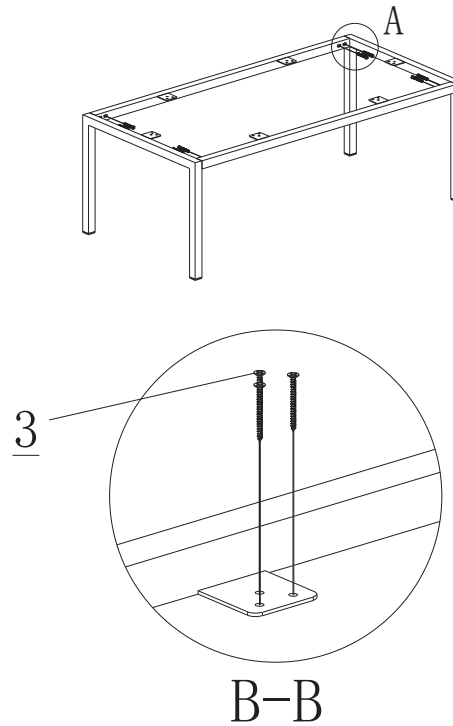
Assembly Instructions

1	2	3
		
SCREW M6*20mm 8pcs	Hex key 4mm 1cs	SCREW 4*16mm 18pcs+1pc(spare)

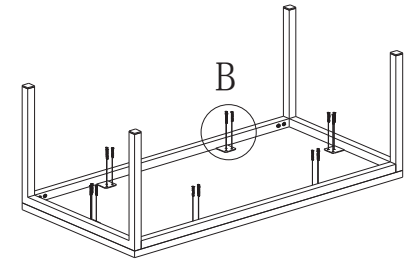
STEP1



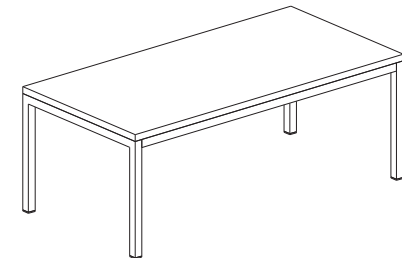
STEP2



STEP3



STEP4



NOTES

Place all laminated parts on a cleaned and smooth surface such as a rug or carpet to avoid the parts from being scratched.

Check to be sure that you have all parts and hardware.

Remove all wrapping materials, including staples and packing straps before you start to assemble.

Keep all hardware parts out of reach of children.

compel[®]

compeloffice.com | 773.253.4758