

compel[®]

PIVIT STORAGE & FILING CREDENZA ASSEMBLY

Table of Contents



NOTE: These instructions are used to assemble the dual filing cabinet credenza, the dual storage cabinet credenza, and the storage/filing combo credenza configurations.

- PART 1 Assemble the Credenza Shell

- PART 2 Assemble the Top Supporting Lateral File Cabinet

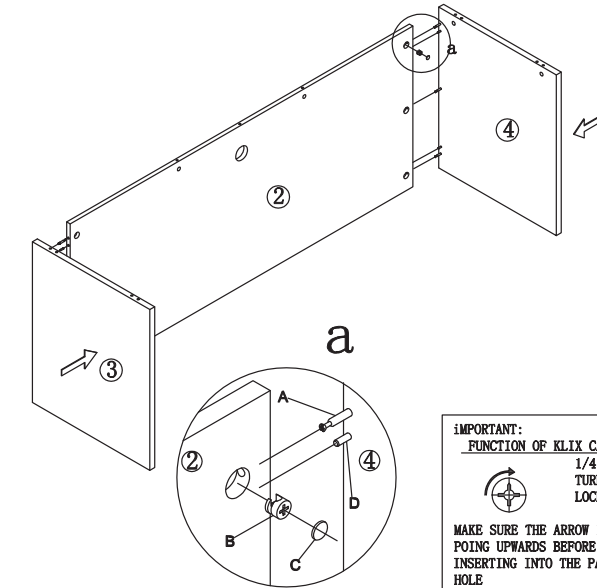
- PART 3 Assemble the Top Supporting Storage Cabinet

Pivot Round 72" x 24" Credenza Shell

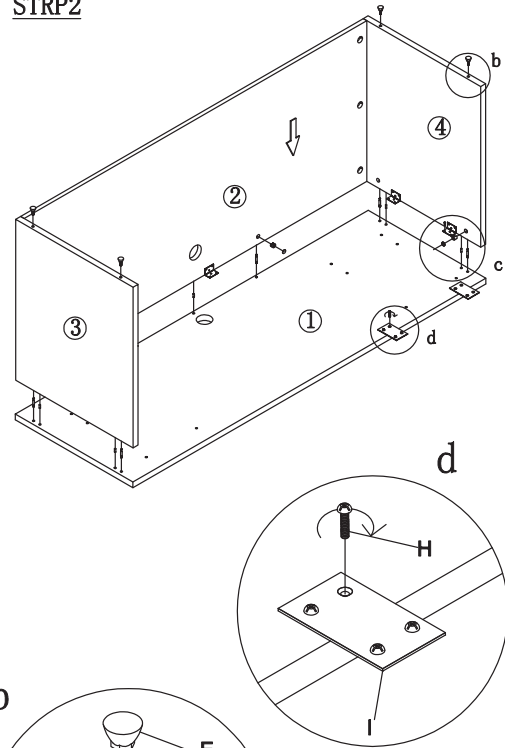
Assembly Instructions

TUN010CL	TUN010KL	C	TUN026	TUN021AG	TUN013LB	TUN018SC	H	I
A	B	C	D	E	F	G	H	I
Camlock 12Pcs+1Pc(spare)	Klix Cam 12Pcs+1Pc(spare)	Cam Cover 12Pcs+1Pc(spare)	Dowel 8Pcs+1Pc(spare)	Adjustable Glide 4 Pcs	6Hole L-Bracket 6Pcs	screw#4* 30Pcs+4Pc(spare)	#4 x 12 Screw 12Pcs	Connector L100(AW80) 3Pcs

STRP1

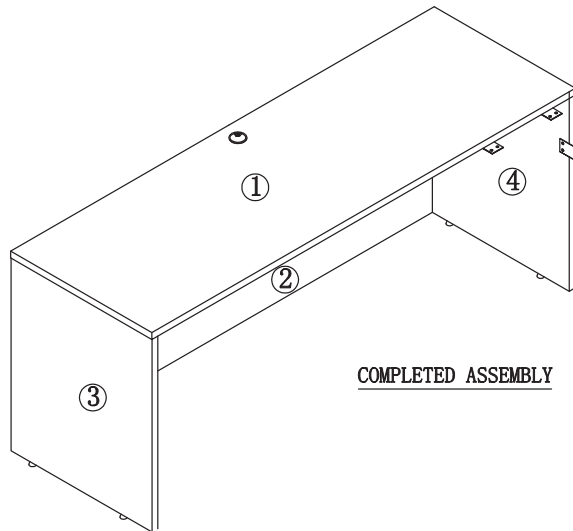


STRP2



IMPORTANT:
FUNCTION OF KLIX CAM
1/4 RIGHT
TURN FOR
LOCKING

MAKE SURE THE ARROW IS
POINTING UPWARDS BEFORE
INSERTING INTO THE PANELS
HOLE




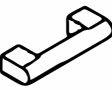
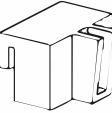
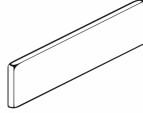
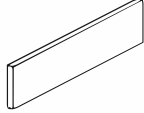
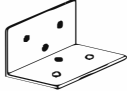


NOTES

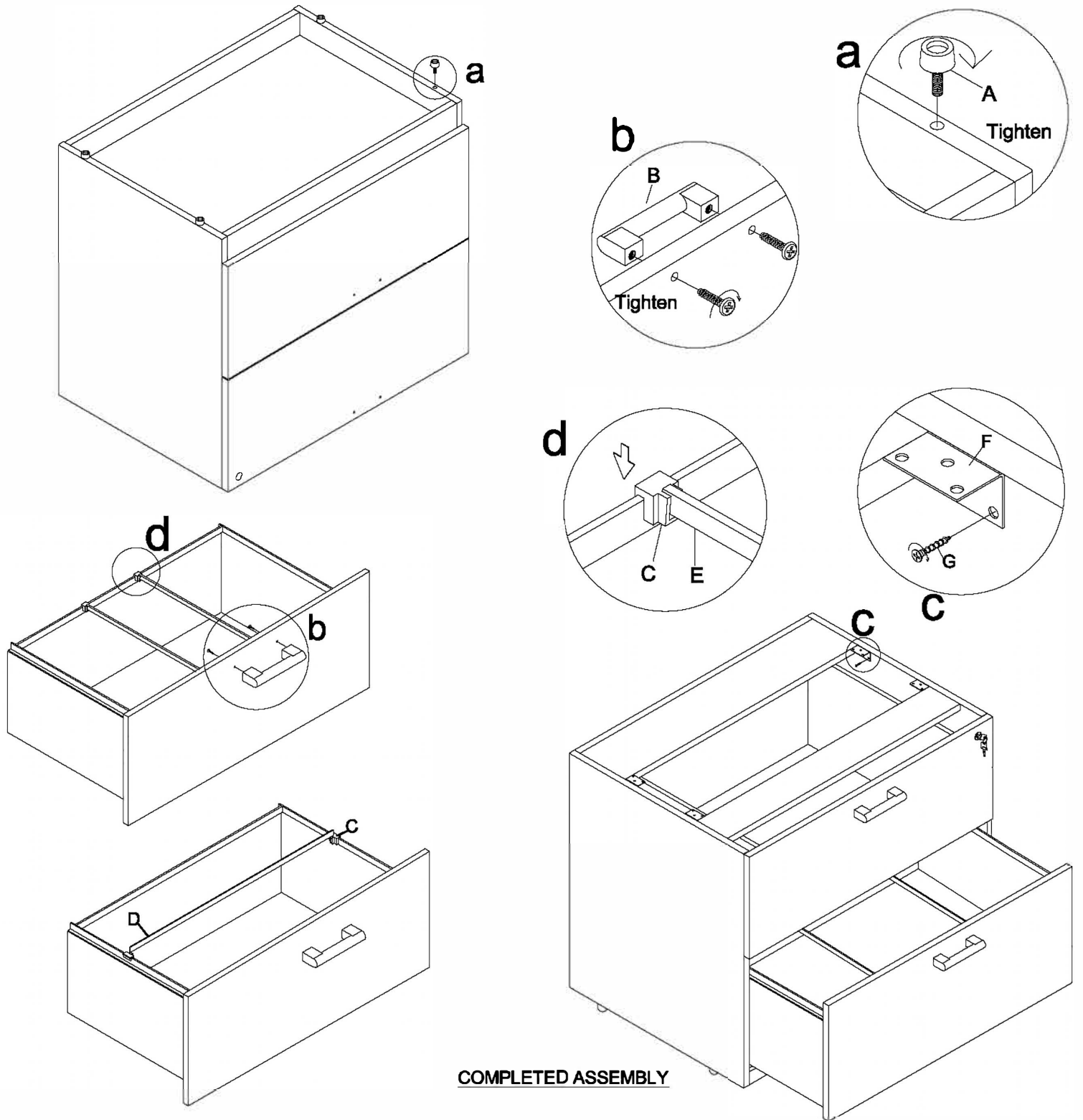
- Place all laminated parts on a clean and smooth surface such as a rug or carpet to avoid the parts from being scratched.
- Check to be sure that you have all parts and hardware.
- Remove all wrapping materials, including staples and packing straps before you start to assemble.
- Keep all hardware parts out of reach of children.

Assembly Instructions

MODEL NO.: PIV-LAT-TS-35

2 DRAWER LATERAL FILE

TUN021AG		TUN001FC	TUN003AB	TUN004AB	TUN013LB6	TUN014SC	H
							
Adjustable Glide 4 PCS	96mm Metal Scallop shape Handle 2 Sets	File clip 8Pcs	672*16*3mm Aluminium Bar 2Pcs	377*16*3mm Aluminium Bar 4Pcs	6 Hole L-Bracket 5 PCS	Screw #4**5/8" 30 PCS+1Pc(spare)	Keys 1set



COMPLETED ASSEMBLY



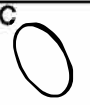
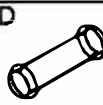
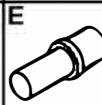





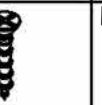



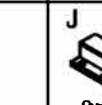
IMPORTANT NOTE:

- Place all laminated parts on a clean and smooth surface such as a rug or carpet to avoid the parts from being scratched.
- Check to be sure that you have all parts and hardware.
- Remove all wrapping materials, including staples & packing straps before you start to assemble.
- Don't tighten all screws/bolts until all completely assembled.
- Keep all hardware parts out of reach of children

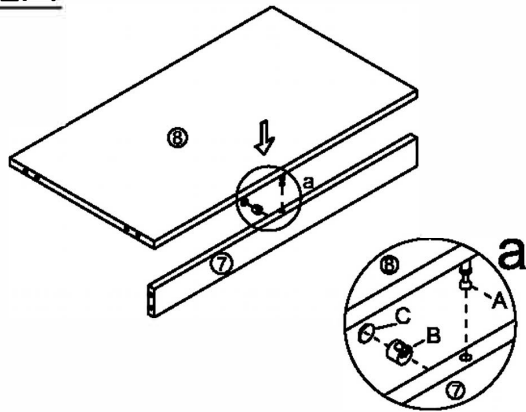
Assembly Instructions

MODEL NO.: PIV-STOR-CAB-TS-3529

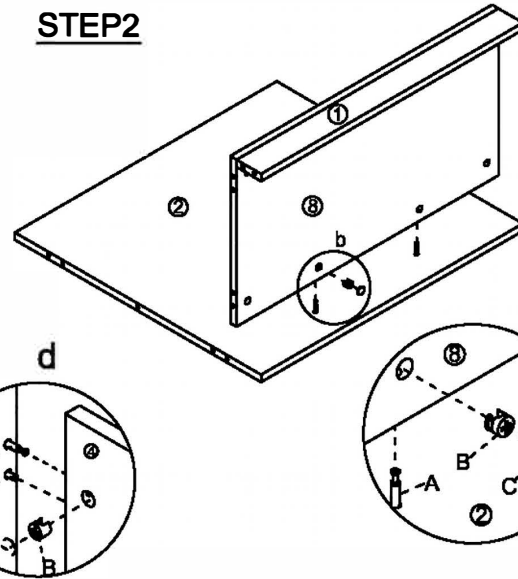
STORAGE CABINET

TUN010CL	TUN011KC	C	D	E	F	G	H	I	K	L	M	N	J	O
														
Cam lock 20Pcs+1Pc(spare)	Klix Cam 20Pcs+1Pc(spare)	Cam Cover 20Pcs+1Pc(spare)	Dowel 16Pcs+1Pc(spare)	Shelf dowel 4Pcs+1Pc(spare)	96mm Metal scallop shape Zset	Adjustable Glide 4 Pcs	Center door hinge 4Pcs	Screw Ø4X19 4Pcs+1Pc(spare)	Screw Ø3.5X12 8Pcs+1Pc(spare)	Keys 1set	L-Bracket 2Pcs	L-Bracket 4 Pcs	Push-return PIN 1 Pcs	Screw Ø4*18 26PCS

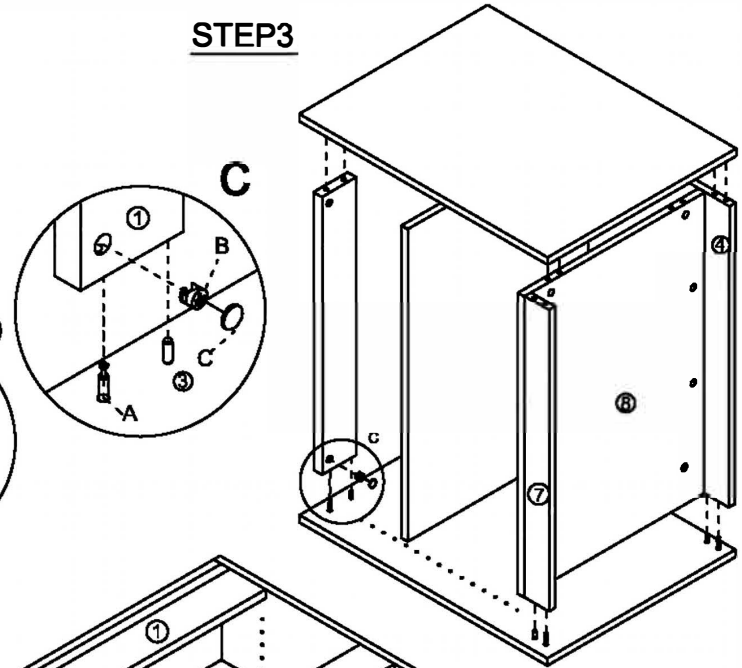
STEP1



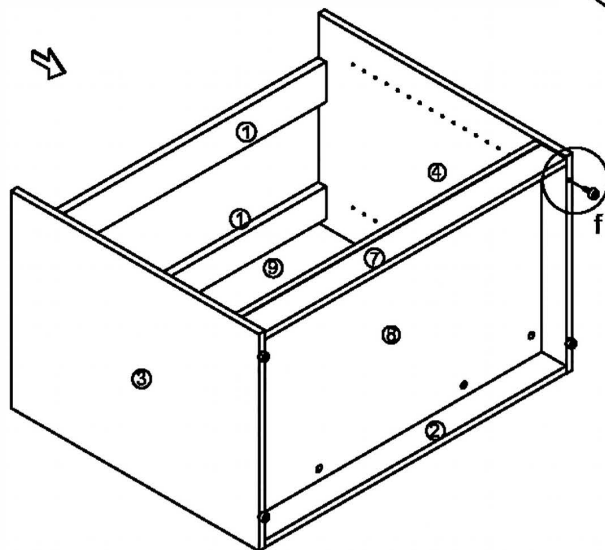
STEP2



STEP3



STEP4



STEP5

