

compel[®]

PIVIT CASEGOODS L DESK ASSEMBLY

Table of Contents


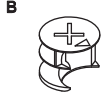
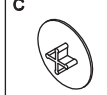
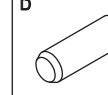
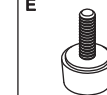
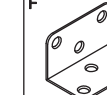
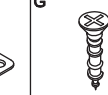
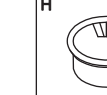



NOTE: These instructions are used to assemble the Desk Shell, the Return and the BBF and FF

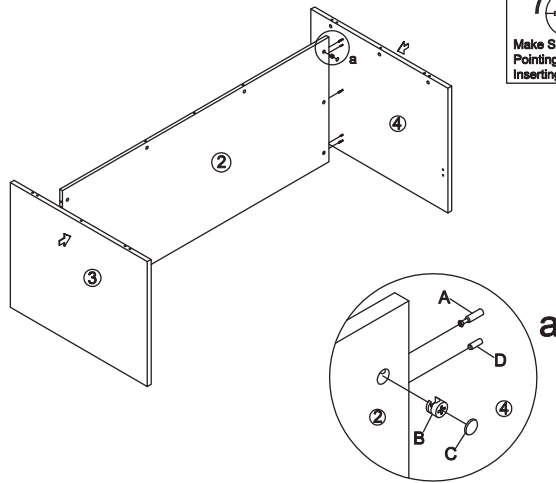
- | | |
|--------|-------------------------|
| PART 1 | Assemble the Desk Shell |
| PART 2 | Assemble the BBF and FF |
| PART 3 | Assemble the Return |

Pivot 72" x 36" Desk


Assembly Instructions

TUN010CL	TUN011KC		TUN026	TUN021AG	TUN013LB	TUN018SC	TUN015BG	
								
Cam lock 14Pcs+1Pc(spare)	Klix Cam 14Pcs+1Pc(spare)	Cam Cover 14Pcs+1Pc(spare)	Dowel 8Pcs+1Pc(spare)	Adjustable Glide 4Pcs	6-hole L-Bracket 5Pcs	Screw#4"x5/8" 30Pcs+1Pc(spare)	60mm Black Grommet 2 Pcs	Cover 4Pcs+1Pc(Spare)

STEP1

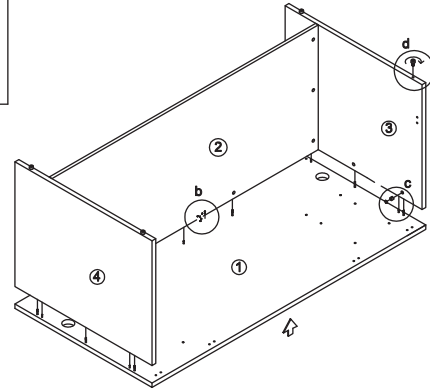


**IMPORTANT:
FUNCTION OF KLIX CAM**

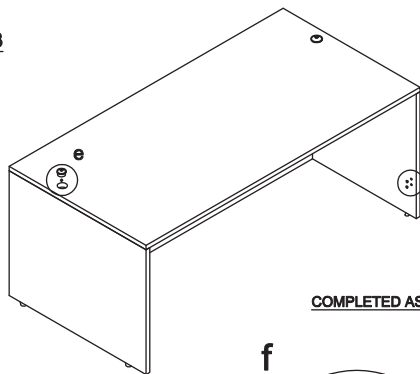


1/4 RIGHT
TURN FOR
LOCKING
Make Sure The Arrow Is
Pointing Upwards Before
Inserting Into The Panel's Hole

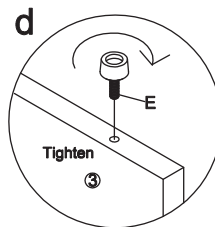
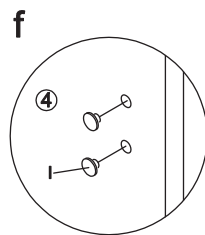
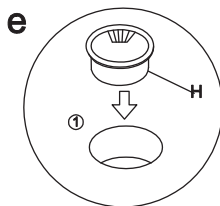
STEP2



STEP3




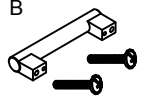
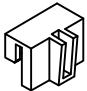





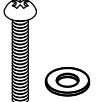

COMPLETED ASSEMBLY



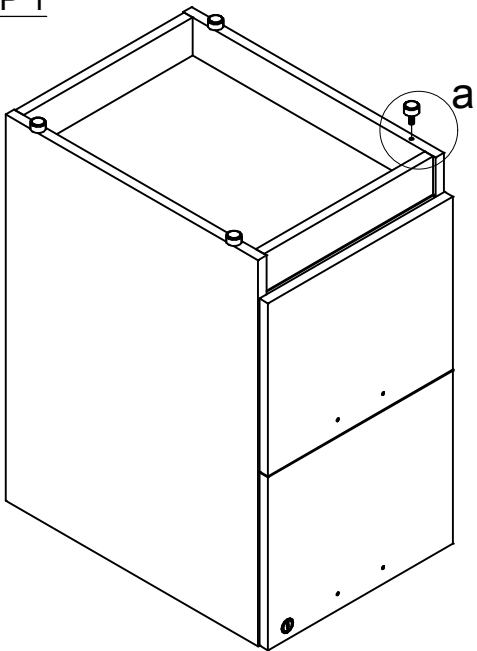
NOTES

- Place all laminated parts on a clean and smooth surface such as a rug or carpet to avoid the parts from being scratched.
- Check to be sure that you have all parts and hardware.
- Remove all wrapping materials, including staples and packing straps before you start to assemble.
- Keep all hardware parts out of reach of children.

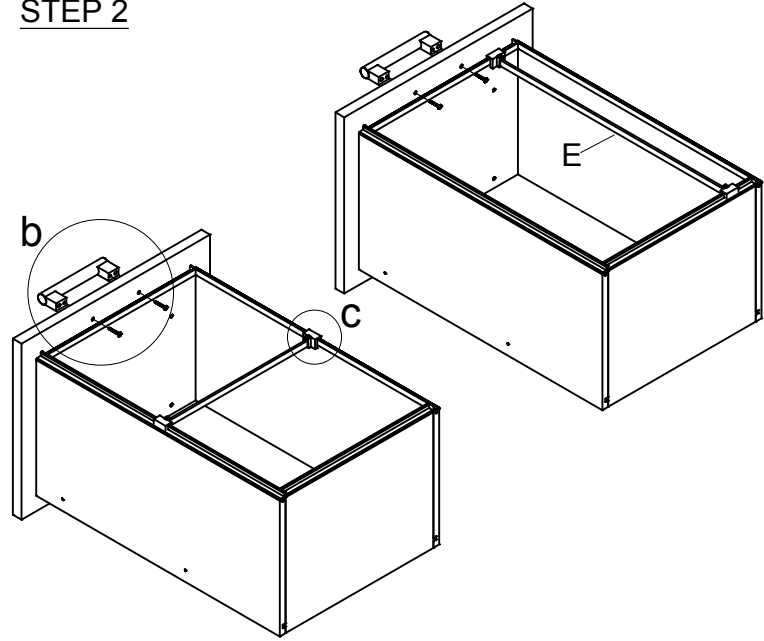
Assembly Instructions
MODEL NO.: PIV-PED-TS-FF
FILE/FILE PEDESTAL

TUN030AG	TUN005MH	TUN001FC	TUN002AB	TUN002AB		TUN013LB	TUN018SG	TUN027SC	
A  Adjustable Glide 4 Pcs	B  96mm Handle Screw M4*22mm 1 Sets	C  File Clip 8 Pcs	D  Filing Bar (296*15*2MM) 2 Pcs	E  Filing Bar (472*15*2MM) 2 Pcs	F  Keys 1 Set	G  L-Bracket 4 Pcs	H  screw #4*16 24 Pcs+1 Pcs(spare)	I  screw #6*40 4 Pcs	J  Allen Wrench 1 Pcs

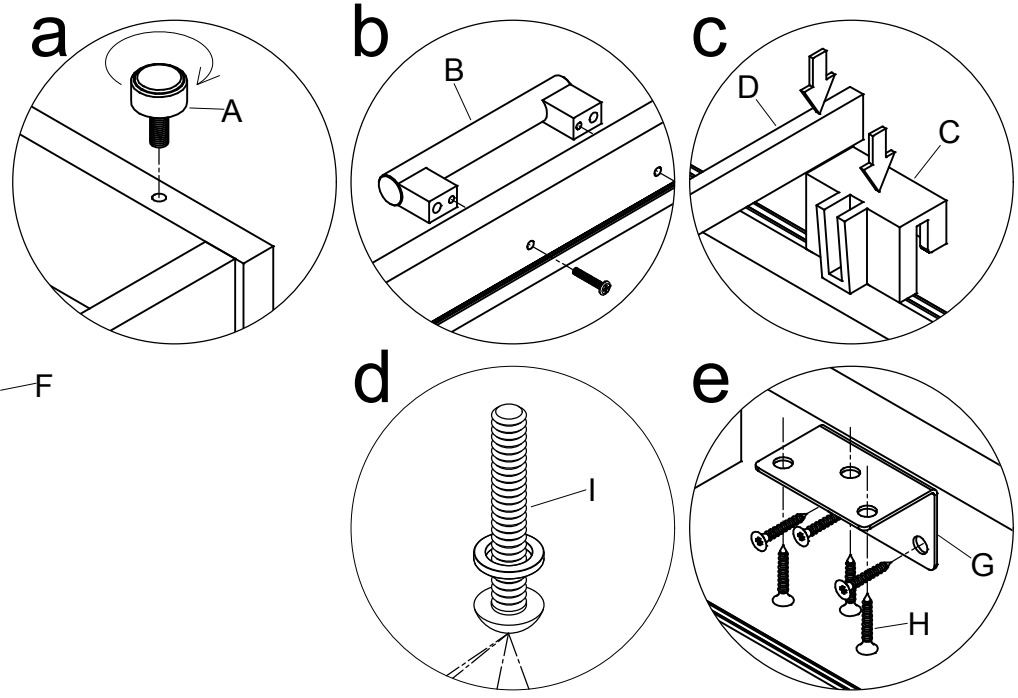
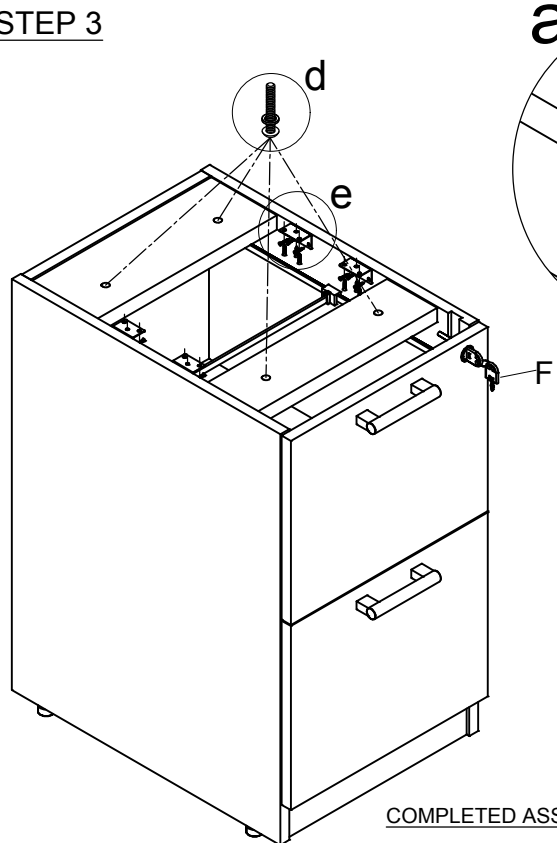
STEP 1



STEP 2




STEP 3

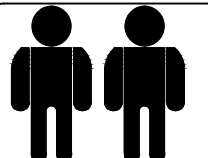


COMPLETED ASSEMBLY

IMPORTANT NOTE:

- Place all wooden parts on clean and smooth surface such as a rug or carpet to avoid the parts from being scratched.
- Check to be sure that you have all parts and hardware.
- Remove all wrapping materials, including staples & packing straps before you start to assemble.
- Do not tighten all screws/bolts until all completely assembled.
- Keep all hardware parts out of reach of children.

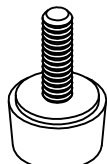
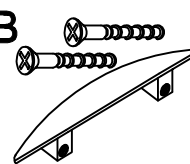
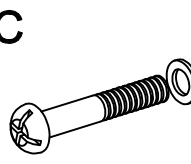
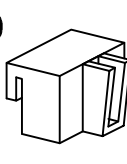
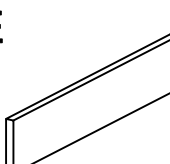



IMPORTANT:
FUNCTION OF KLIX CAM
 1/4 RIGHT
 TURN FOR
 LOCKING
 MAKE SURE THE ARROW IS
 POING UPWARDS BEFORE
 INSERTING INTO THE PANELS
 HOLE


 TWO PEOPLE ARE REQUIRED TO
 ASSEMBLE AND MOVE THIS MODEL

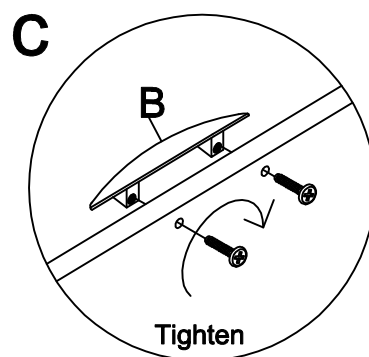
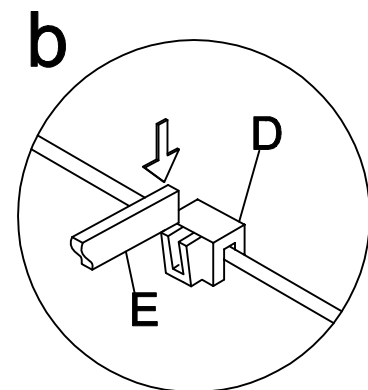
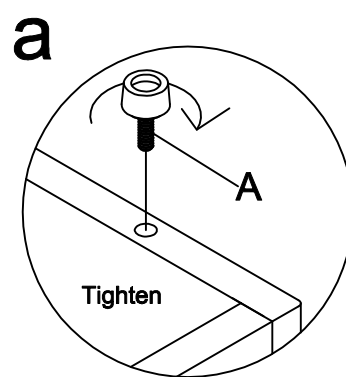
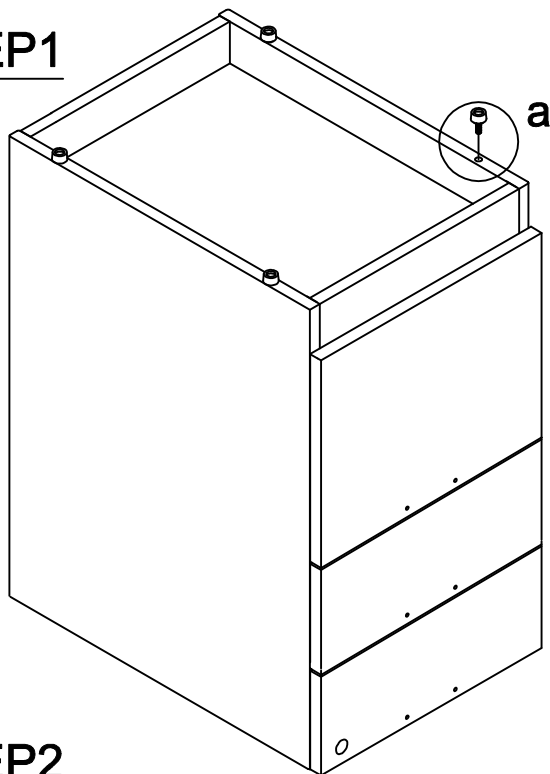
Assembly Instructions

MODEL NO.:P-LPBBF

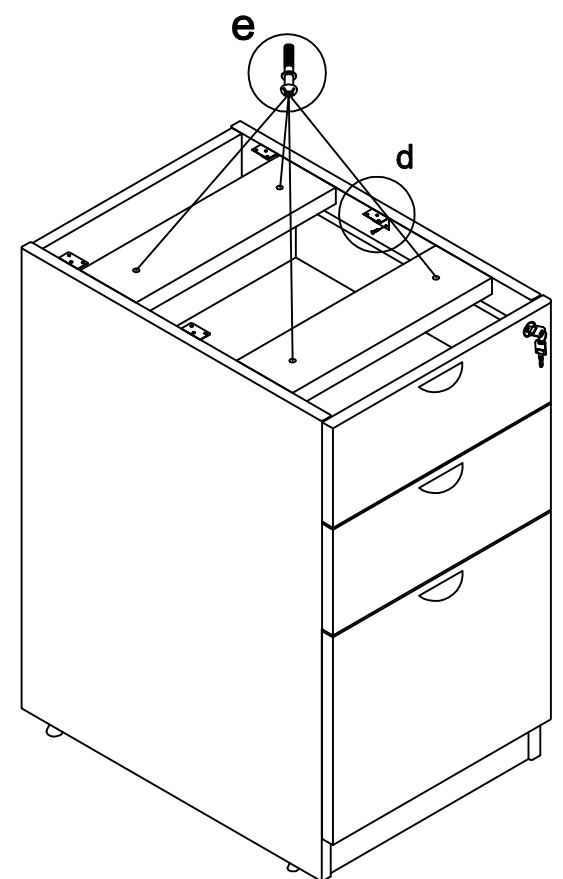
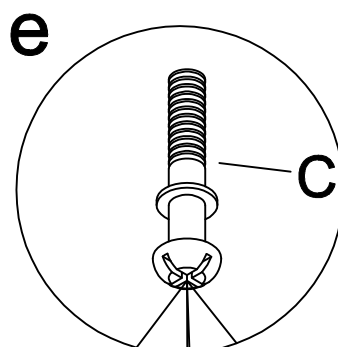
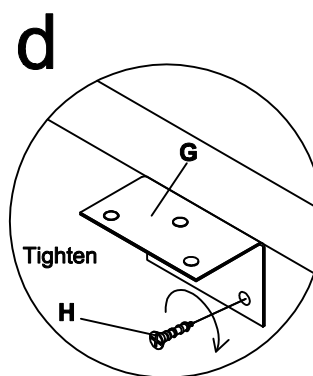
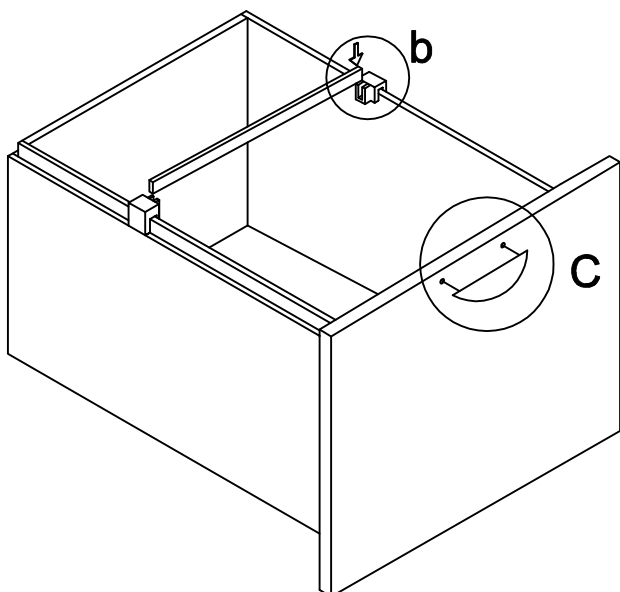
BOX/FILE PEDESTAL

TUN030AG	TUN005MH	TUN027SC	TUN001FC	TUN002AB		TUN013LB	TUN018SC
A 	B 	C 	D 	E 	F 	G 	H 
Adjustable Glide 4 Pcs	32mm Metal scallop shape Handle 3Sets	Screw M6x40mm 4sets	File clip 2Pcs	METAL BAR 1Pcs	Keys 1set	6Hole L-Bracket 4Pcs	Screw#4 24Pcs+1Pcs(spare)

STEP 1



STEP 2



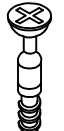

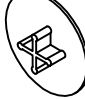
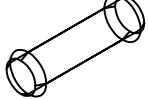
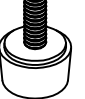
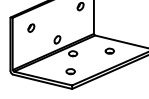



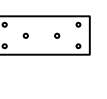
COMPLETED ASSEMBLY

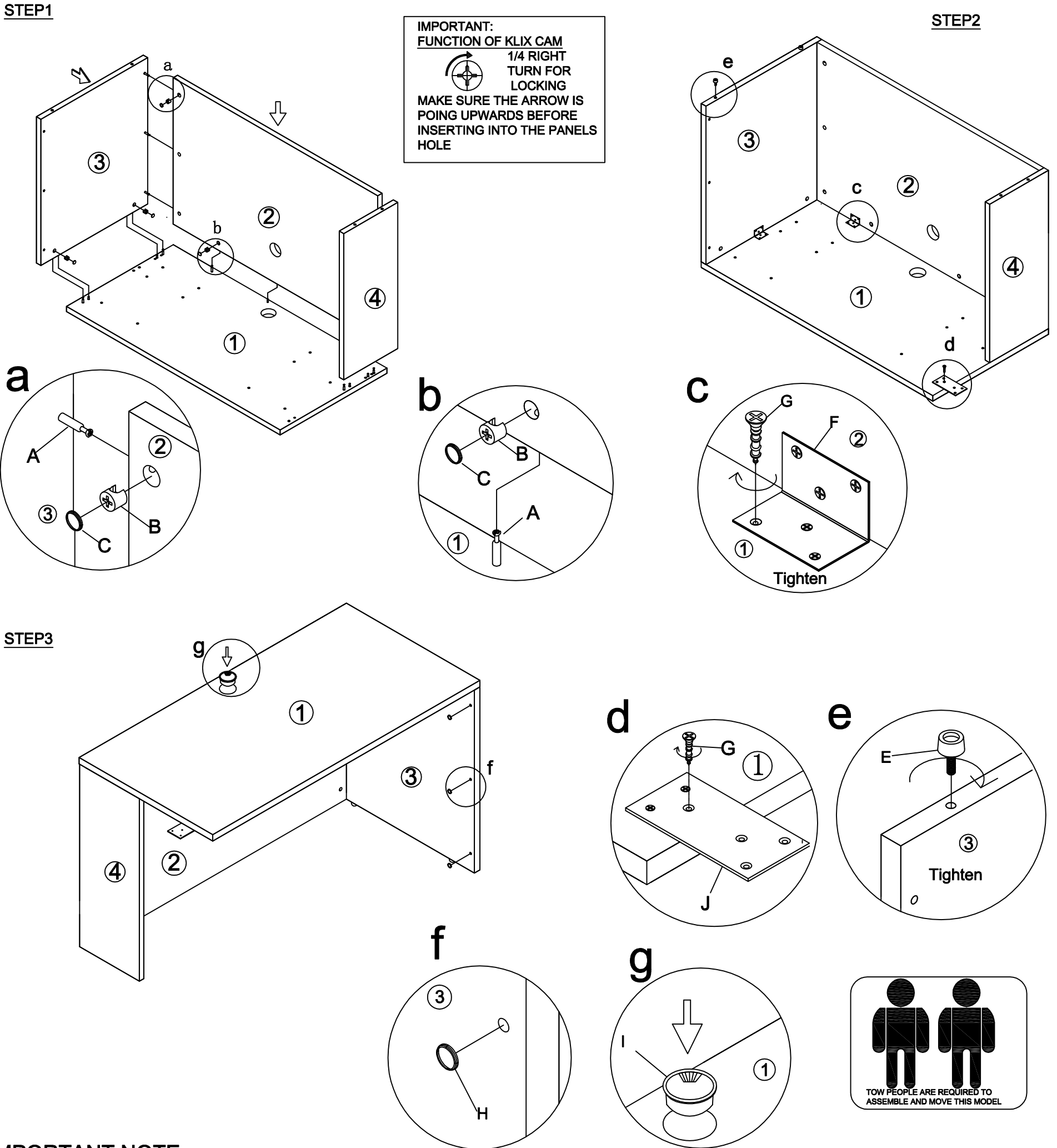
IMPORTANT NOTE:

- Place all laminated parts on a clean and smooth surface such as a rug or carpet to avoid the parts from being scratched.
- Check to be sure that you have all parts and hardware.
- Remove all wrapping materials, including staples & packing straps before you start to assemble.
- Don't tighten all screws/bolts until all completely assembled.
- Keep all hardware parts out of reach of children

WWW.COMPELOFFICE.COM

Assembly Instructions
MODEL NO.:P-LRU-4224
 RETURN-REVERSIBLE

A  Cam lock 12Pcs+1Pcs(spare)	B  Klix Cam 12Pcs+1Pcs(spare)	C  Cam Cover 12Pcs+1Pcs	D  Dowel 5Pcs+1Pcs(spare)	E  Adjustable Glide 4 Pcs	F  6Hole L-Bracket 4Pcs	G  screw#4*5/8" 30Pcs+1Pcs(spare)	H  Cover 6Pcs	I  60mm Black Grommet 2 Pcs	J  I-Bracket 1Pcs
---	---	---	---	---	---	---	---	--	---



IMPORTANT NOTE:

- Place all laminated parts on a clean and smooth surface such as a rug or carpet to avoid the parts from being scratched.
- Check to be sure that you have all parts and hardware.
- Remove all wrapping materials, including staples & packing straps before you start to assemble.
- Don't tighten all screws/bolts until all completely assembled.
- Keep all hardware parts out of reach of children