

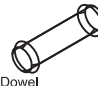



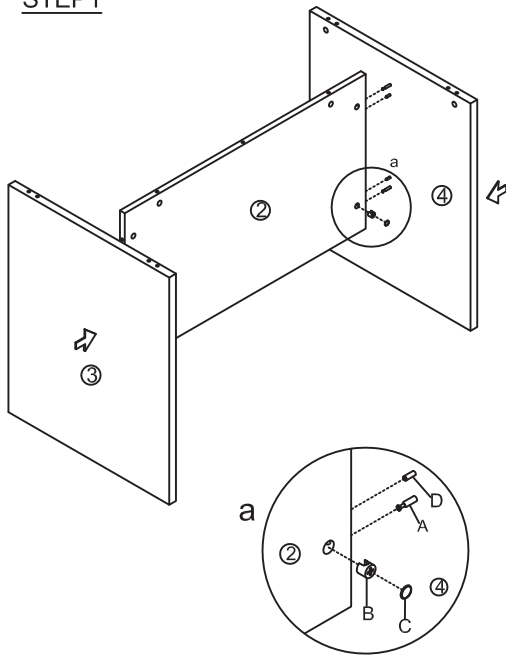


# Pivit 72" Conference Table

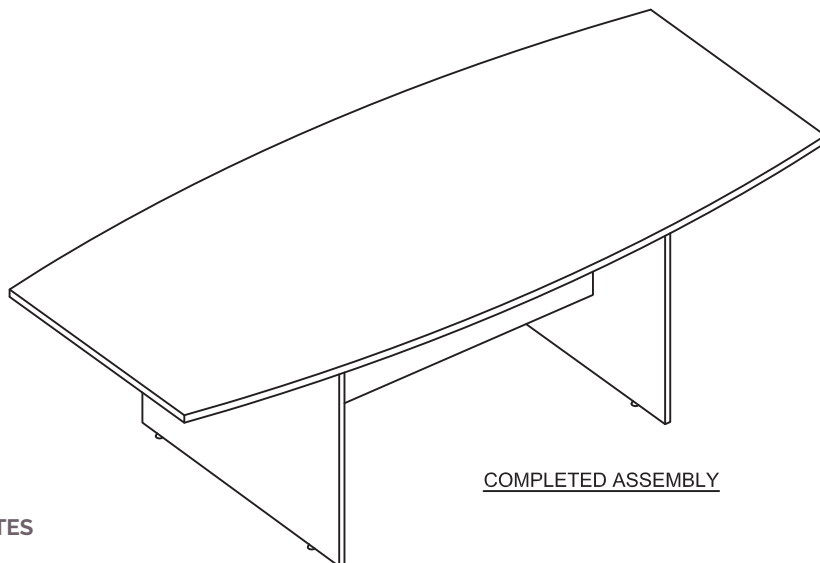
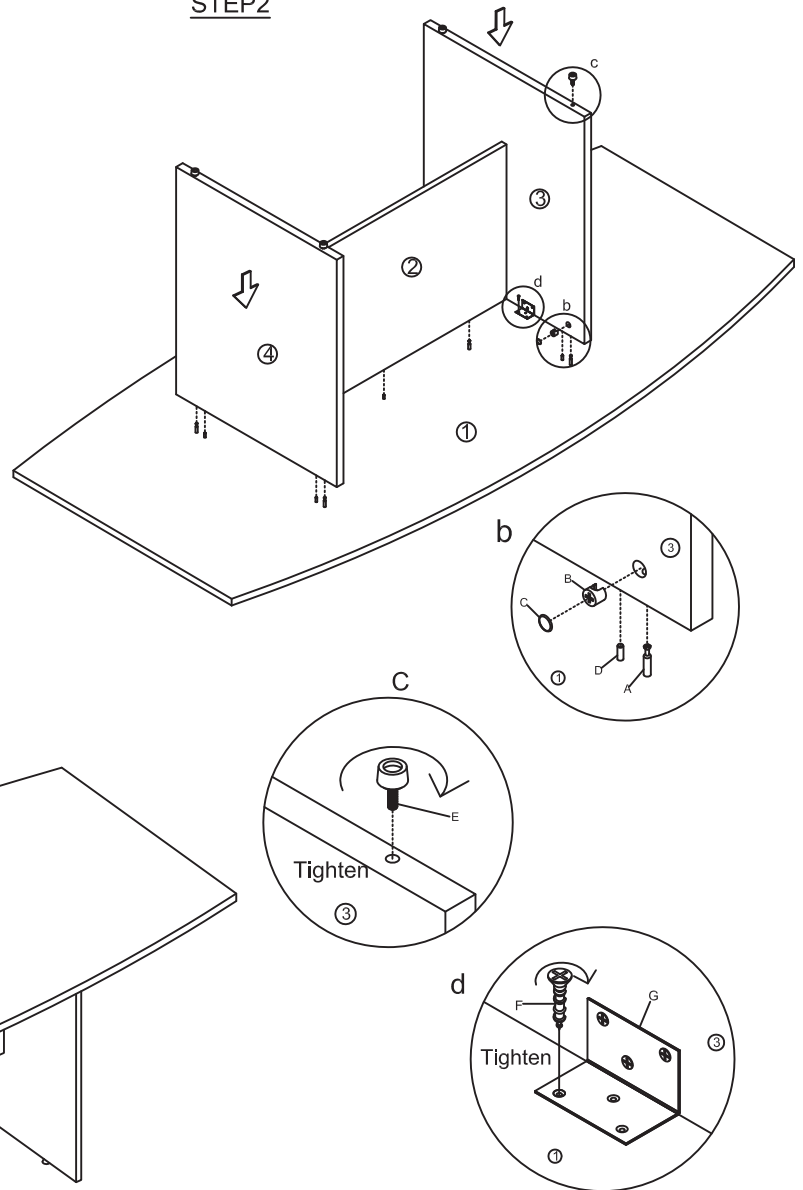
## Assembly Instructions

TUN010CL	TUN011KC	TUN026	TUN021AG	TUN018SC	TUN013LB
 Cam Lock 10Pcs+1Pcs	 Klix Cam 10Pcs+1Pcs	 Dowel 9Pcs+1Pcs(spare)	 Adjustable Glide 4 Pcs	 screw#4"×5/8" 30Pcs+1Pcs(spare)	 6Hole L-Bracket 5Pcs

### STEP1



### STEP2



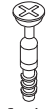


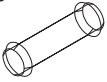
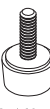
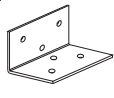





COMPLETED ASSEMBLY

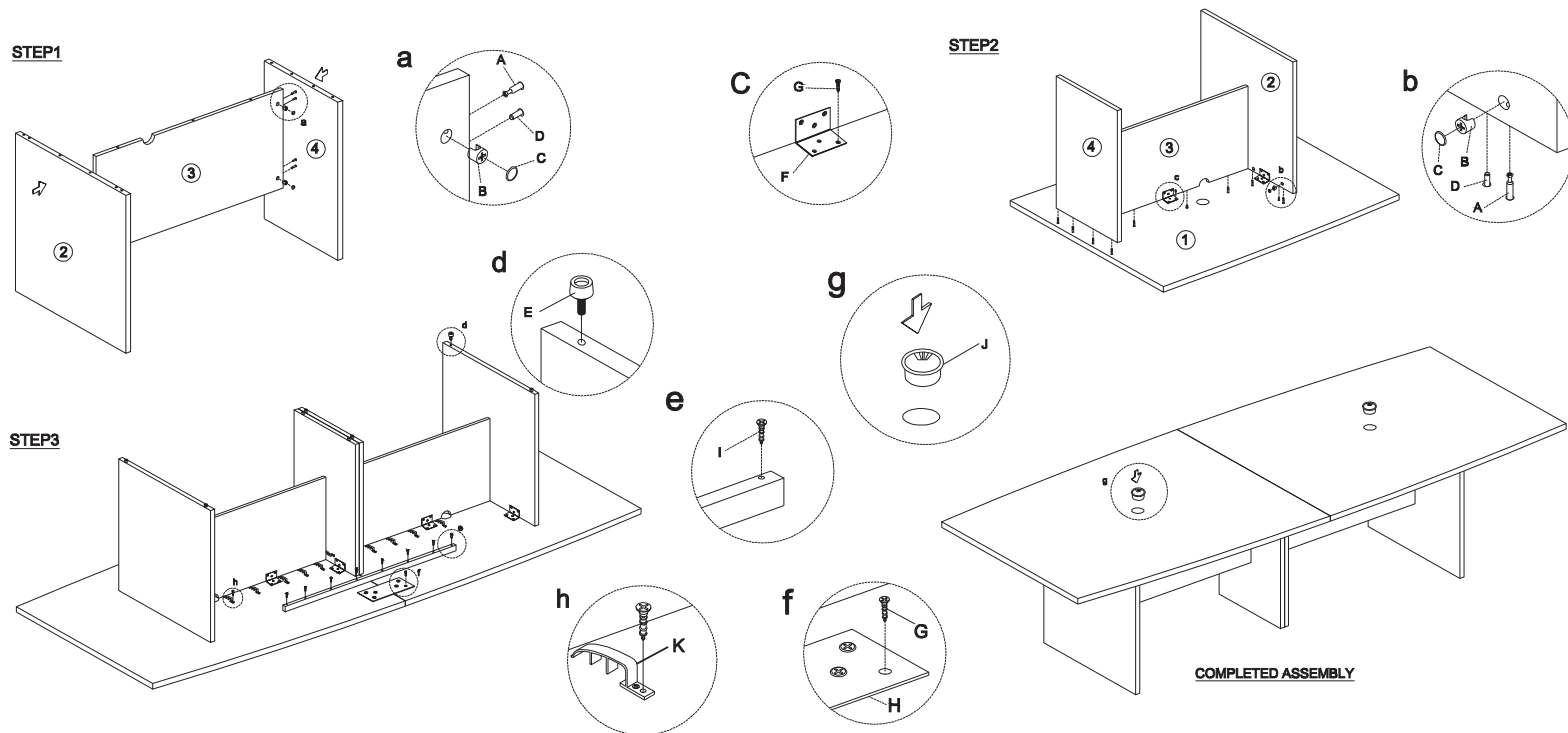
### NOTES

- Place all laminated parts on a cleaned and smooth surface such as a rug or carpet to avoid the parts from being scratched.
- Check to be sure that you have all parts and hardware.
- Remove all wrapping materials, including staples and packing straps before you start to assemble.
- Keep all hardware parts out of reach of children.

# Pivot 96" Conference Table

## Assembly Instructions

TUN010CL	TUN010KL		TUN026	TUN021AG	TUN013LB	TUN018SC	TUN019IB		J	K
<b>A</b>  Cam lock 28Pcs+2Pc(spare)	<b>B</b>  Klix Cam 28Pcs+2Pc(spare)	<b>C</b>  Cam Cover 28Pcs+2Pc(spare)	<b>D</b>  Dowel 18Pcs+2Pc(spare)	<b>E</b>  Adjustable Glide 8 Pcs	<b>F</b>  6-Hole L-Bracket 10Pcs	<b>G</b>  98Pcs+1Pc(spare)	<b>H</b>  I-Bracket 2Pcs	<b>I</b>  20Pcs+1Pc(spare)	<b>J</b>  60mm Black Grommet 2PCS	<b>K</b>  12 Pcs

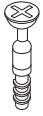


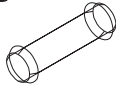
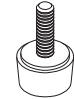
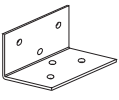

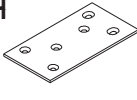


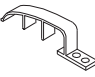


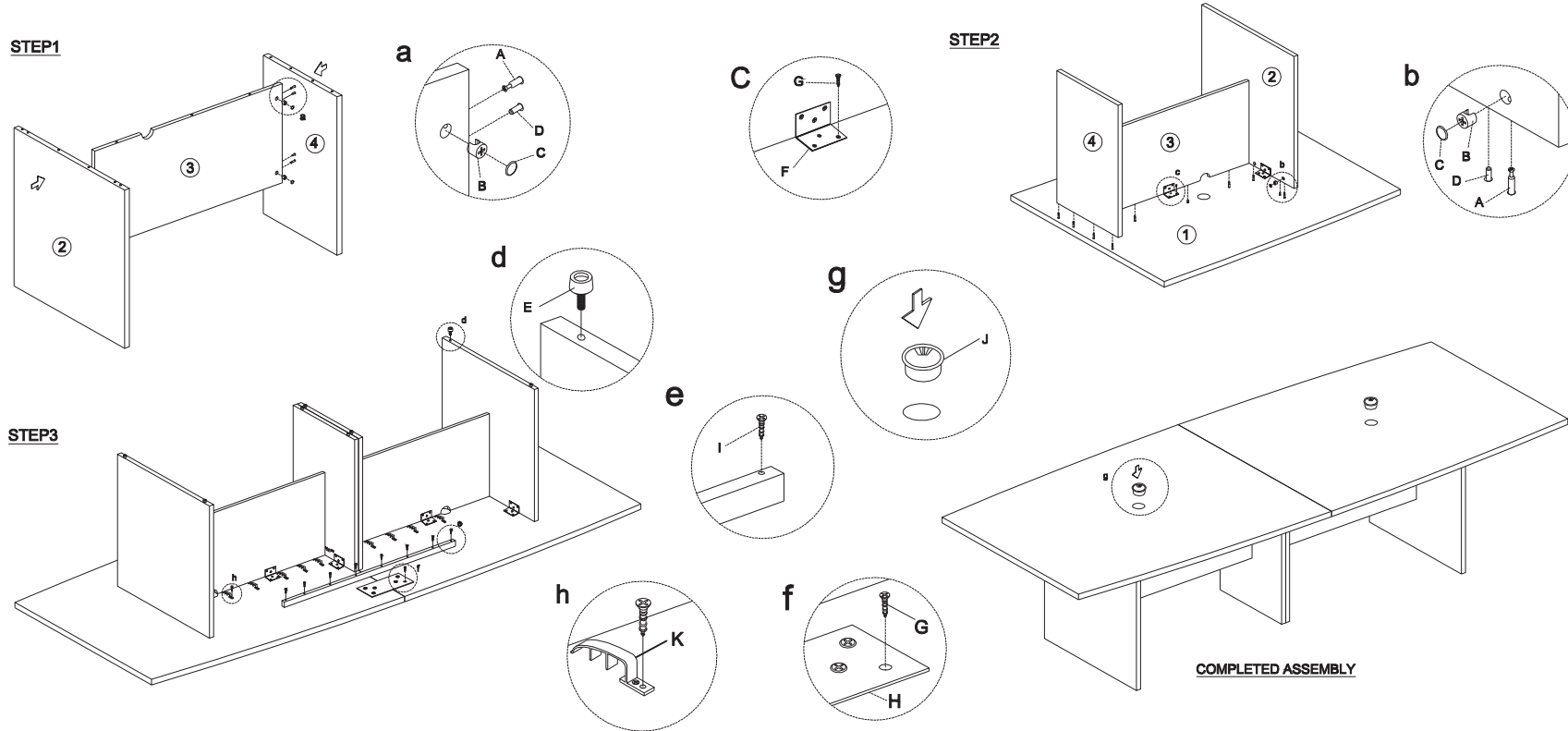
### NOTES

Place all laminated parts on a clean and smooth surface such as a rug or carpet to avoid the parts from being scratched.  
 Check to be sure that you have all parts and hardware.  
 Remove all wrapping materials, including staples and packing straps before you start to assemble.  
 Keep all hardware parts out of reach of children.

# Pivot 120" Conference Table

## Assembly Instructions

TUN010CL	TUN010KL		TUN026	TUN021AG	TUN013LB	TUN018SC	TUN019IB			
										
Cam lock 28Pcs+2Pc(spare)	Klix Cam 28Pcs+2Pc(spare)	Cam Cover 28Pcs+2Pc(spare)	Dowel 18Pcs+2Pc(spare)	Adjustable Glide 8 Pcs	6Hole L-Bracket 10Pcs	$\phi 4 \times 16$ 98Pcs+1Pc(spare)	I-Bracket 2Pcs	$\phi 4 \times 50$ 20Pcs+1Pc(spare)	60mm Black Grommet 2PCS	12 Pcs



### NOTES

Place all laminated parts on clean and smooth surface such as a rug or carpet to avoid the parts from being scratched.  
 Check to be sure that you have all parts and hardware.  
 Remove all wrapping materials, including staples, and packing straps before you start to assemble.  
 Keep all hardware parts out of reach of children.