

Pivit Perch

Assembly Instructions

Product Information

- Two sizes (Length - 60in, 18in)
- Easy assembly
- Knock-down shipping
- Base available in three colors

STANDARDS & CERTIFICATIONS

Meets 2014 BIFMA X5.4 standards.

WARRANTY

Contact your sales representative for warranty information.

PARTS DIAGRAM

	QTY
1. End O-Frame	2
2. Connecting Beams	2
3. Mid Support (48in & 60in only)	1
4. Tube Connectors (48in & 60in only)	2
5. M6-1.00 X14MM Self Thread Screws	8
6. #10-12 X 0.50IN Wood Screws	8-16

Safety Information

Maximum load for seating unit is 1 3/8 lbs/in².
If you are unsure if your preferred seating surface meets specifications, contact customer service.

USE CARE WHEN MOVING SEATING SYSTEM

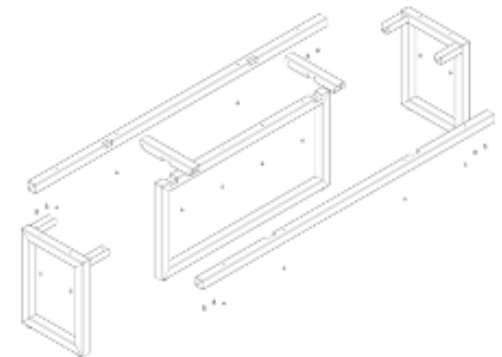
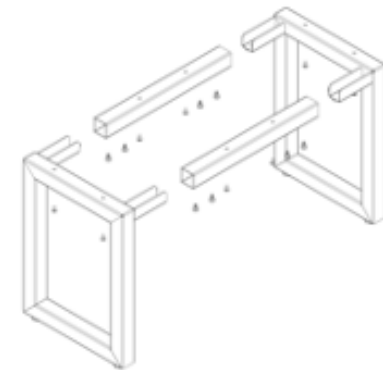
- Remove all objects before moving
- Clear objects and equipment before moving to reduce risk of tipping over

ASSEMBLY INSTRUCTIONS

The assembly of the seating system to be made in accordance with this manual. Changes to the seating system's frame or improper use may affect the safety, function, and life of your product.

OVERVIEW

1. Assemble the mid support run (when applicable)
2. Join outer beams with mid support
3. Mount end frame
4. Install the frame to seating surface



NOTES

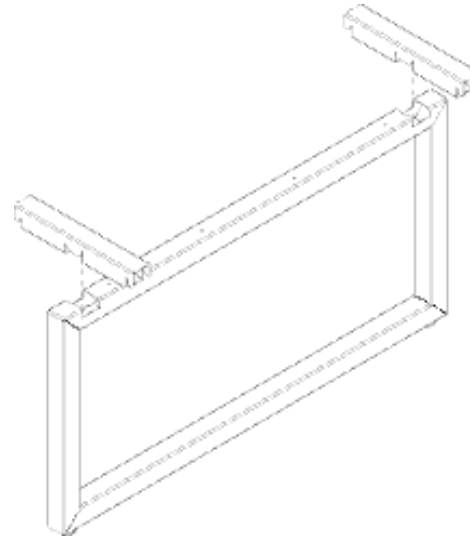
Check to be sure that you have all parts and hardware.
Remove all wrapping materials, including staples, and packing straps before you start to assemble.
Keep all hardware parts out of reach of children.

Pivit Perch

1.

ASSEMBLE THE MID SUPPORT RUN (WHEN APPLICABLE)

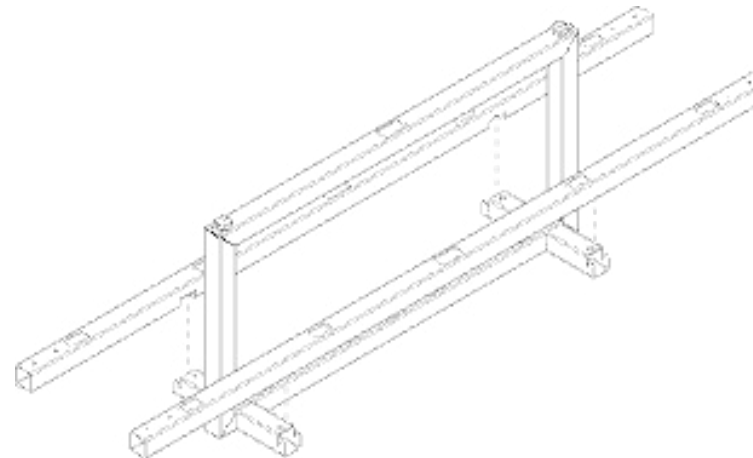
Latch tube connectors with mid support. Use rubber mallet and appropriate force for flush alignment.



2.

JOINT OUTER BEAMS WITH MID SUPPORT

Joint outer beams of the bench with the mid support assembly. Use rubber mallet and appropriate force to ensure proper alignment.

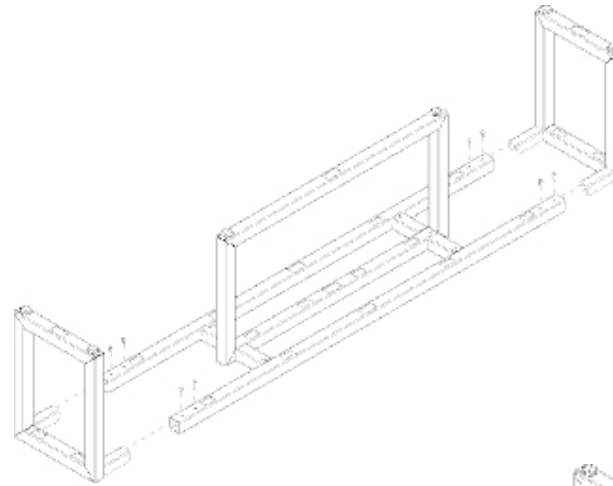


NOTES

Check to be sure that you have all parts and hardware.
Remove all wrapping materials, including staples, and packing straps before you start to assemble.
Keep all hardware parts out of reach of children.

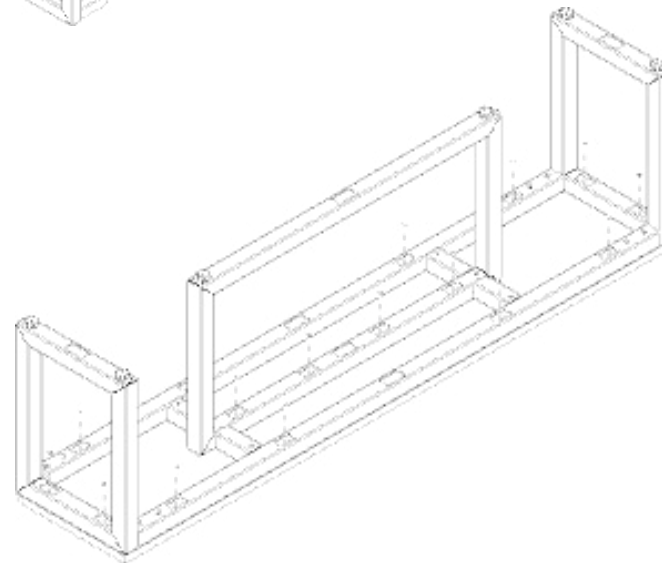
3. MOUNT END FRAME

Mount the connecting beam to the o-frame using the M6 self-threading screws.



4. INSTALL THE FRAME TO THE SEATING SURFACE

Center the table frame and keep edges flush with the frame of the bench. Use a Phillips head bit to fasten the frame to seating surface. Adjust glides/levelers accordingly after frame is fully installed and flipped up-right.



NOTES

Check to be sure that you have all parts and hardware.
Remove all wrapping materials, including staples, and packing straps before you start to assemble.
Keep all hardware parts out of reach of children.