

Pivit Pod

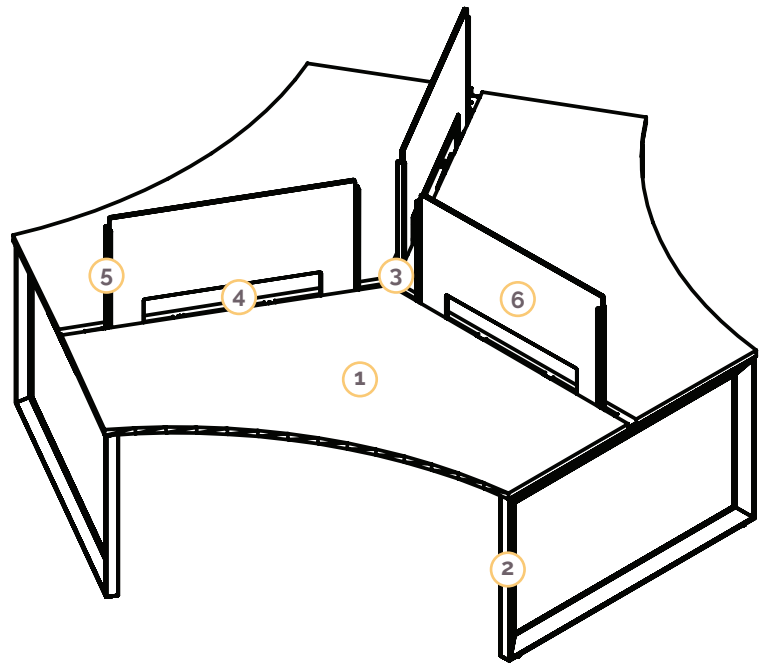
Assembly Instructions

Parts Included

- 1** 3 x 120° Tops
- 2** 3 x 48" Open Frame Legs
- 3** 1 x Center Post Leg Hardware

Optional Parts

- 4** 3 x Power Troughs
- 5** 6 x Screen Bracks
- 6** 3 x Privacy Screens



Description

You can now add 120° work stations with the new Pivit Pod. With more options from our Pivit Collection, you can accommodate all employee user preferences and needs. Available in the same four finishes as Pivit Desks, this system allows you to introduce a new level of teamwork into your office.

Pivot Return 48"

Assembly Instructions

STEP 1

Attach legs to tops with provided wood screws. Align outside corner of the worksurface with the outside corner of the leg. This will leave a gap in between worksurfaces.

STEP 2

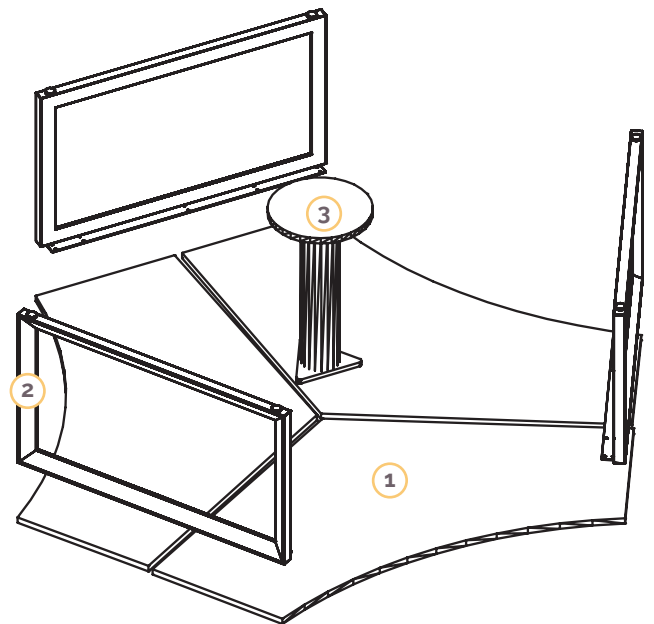
Flip pod over and attach power troughs

STEP 3

Attach screen bracket if needed

STEP 4

Slide screens into brackets



Parts Included

- 1** 3 x 120° Tops
- 2** 3 x 48" Open Frame Legs
- 3** 1 x Center Post Leg Hardware