

compel[®]

Pivot Frame Conference Table Assembly Instructions



96in Table	Page 2
120in Table	Page 4
144in Table	Page 6
Grommet Installation	Page 8

PIVIT 96" FRAME CONFERENCE TABLE

PARTS LIST

- 30" SHARED LEG (1)
- 36" END LEG (2)
- FLAT BRACKET (2)
- SURFACE FASTENERS (2)
- BISCUITS (2)
- END SECTION TOP (2)

REQUIRED TOOLS

- DRILL & PHILLIPS HEAD BIT
- ALLEN WRENCH
- TAPE MEASURE

IMPORTANT INFORMATION PRIOR TO ASSEMBLY

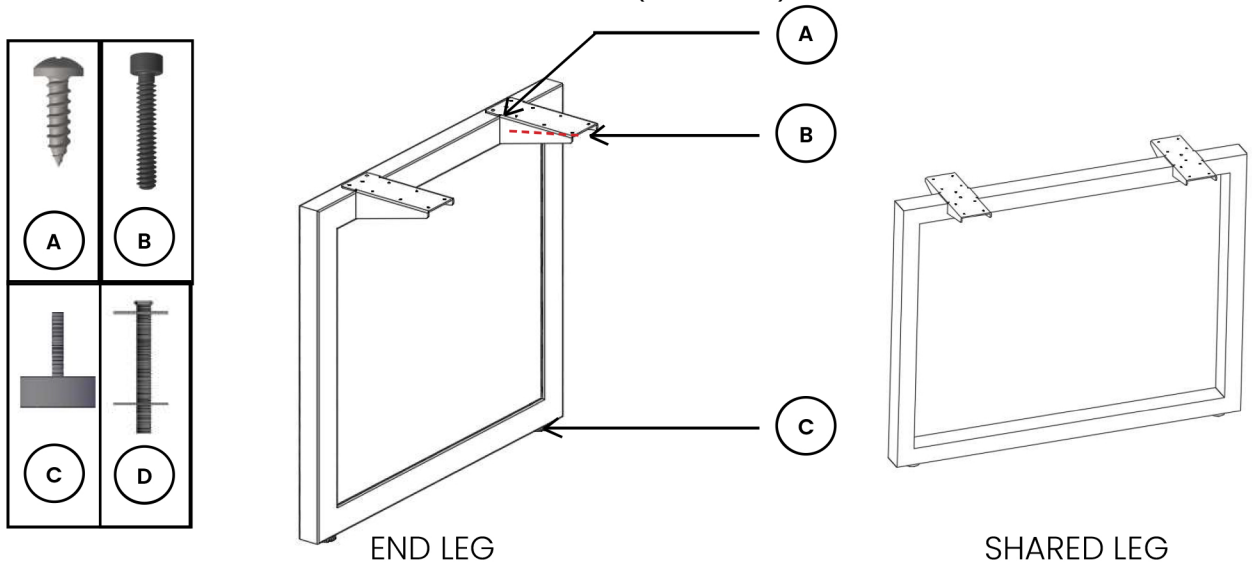
ASSEMBLE TABLE ON A CARPETED, SOFT, OR PROTECTED AREA WHERE INSTALLTION WILL OCCUR

DO NOT DRAG ASSEMBLED TABLE

2 PEOPLE NEEDED FOR ASSEMBLY. 3 PEOPLE REQUIRED TO TURN TABLE UPRIGHT

STEP 1

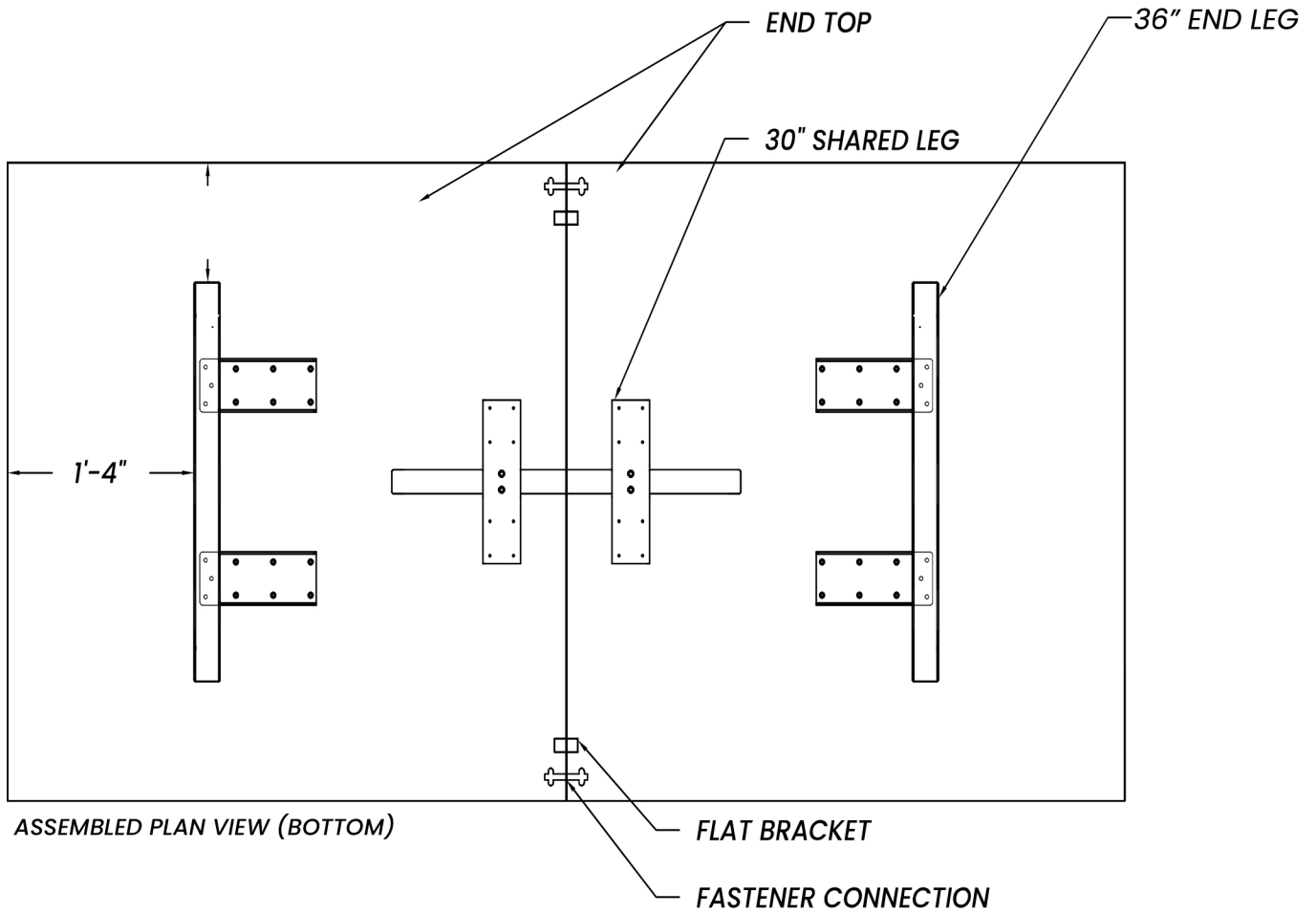
- ASSEMBLE OPEN FRAME LEGS. ATTACH LEG BRACKETS TO LEG FRAME USING FLAT HEAD MACHINE SCREW TO FASTEN. TWO SCREWS PER BRACKET.(IMAGE A)
- USE THE SOCKET HEAD MACHINE SCREWS ON THE SIDE OF THE LEG BRACKET, TIGHTEN. TWO SCREWS PER BRACKET (IMAGE B)
- REPEAT ON THE OPPOSITE SIDE FOR SHARED LEGS
- INSERT GLIDES TO THE BOTTOM OF LEG (IMAGE C)



STEP 2

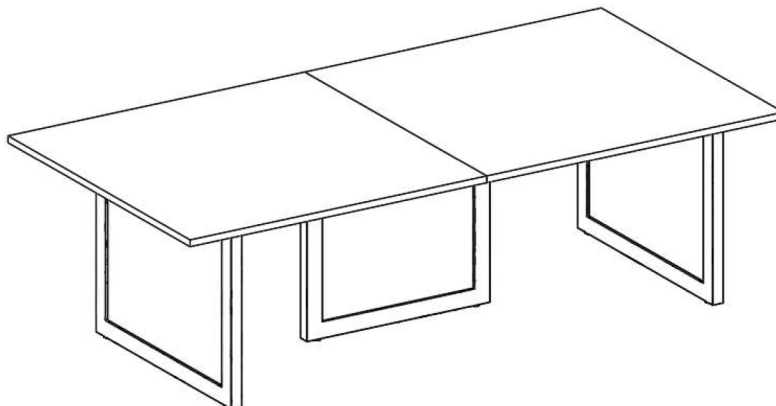
- LAY TABLE TOPS UPSIDE DOWN CONSECUTIVELY AS SHOWN BELOW IN BOTTOM VIEW REFERENCE. MAKE SURE UNFINISHED EDGES FROM EACH TOP ARE ALIGNED NEXT TO EACHOTHER.
- MEASURE AND POSITION LEGS AS ILLUSTRATED BELOW.
- USING A POWER DRILL, FASTERN THE LEGS ONTO TABLE TOPS BY USING WORK-SURFACES SCREWS
- CONNECT SURFACES WITH FASTENERS (IMAGE D) INTO NOTCHES ON TOPS AND TIGHTEN
- INSTALL FLAT BRACKETS AT SURFACE SEAMS ON TOPS AS SHOWN BELOW

PIVIT 96" FRAME CONFERENCE TABLE



STEP 3

AFTER ALL COMPONENTS HAVE BEEN FULLY ASSEMBLED AND ATTACHED USE EXTREME CAUTION TO FLIP TABLE RIGHTSIDE UP. 2 OR 3 PEOPLE REQUIRED TO FLIP TABLE.



PIVIT 120" FRAME CONFERENCE TABLE

PARTS LIST

- 36" SHARED LEG (1)
- 36" END LEG (2)
- FLAT BRACKET (2)
- SURFACE FASTENERS (2)
- BISCUITS (2)
- END SECTION TOP (2)

REQUIRED TOOLS

- DRILL & PHILLIPS HEAD BIT
- ALLEN WRENCH
- TAPE MEASURE

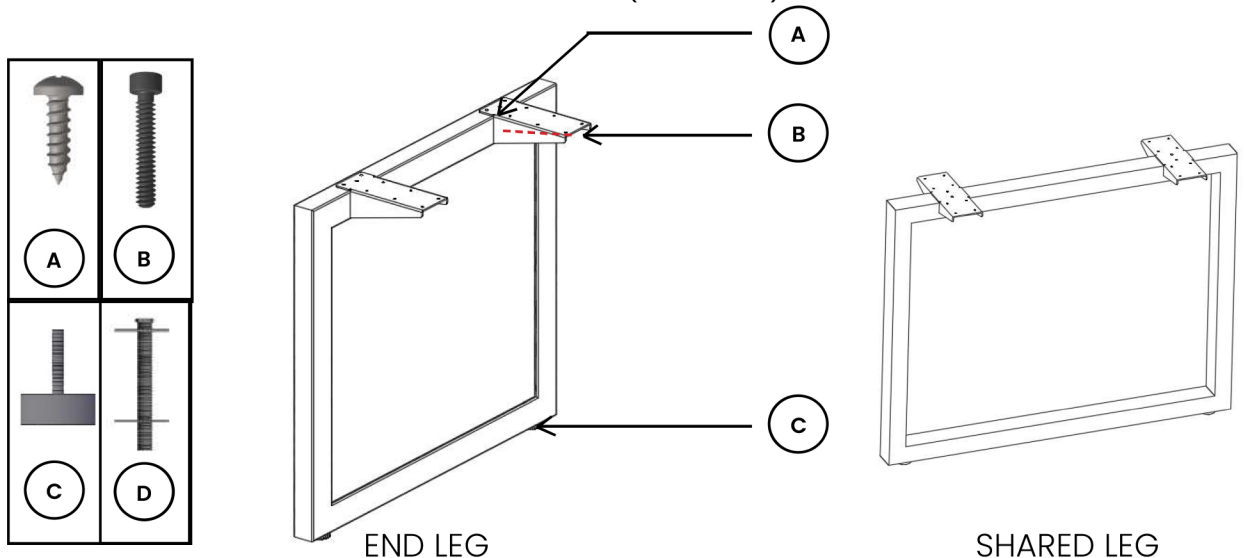
IMPORANT INFORMATION PRIOR TO ASSEMBLY

ASSEMBLE TABLE ON A CARPETED, SOFT, OR PROTECTED AREA WHERE INSTALLTION WILL OCCUR
DO NOT DRAG ASSEMBLED TABLE

2 PEOPLE NEEDED FOR ASSEMBLY. 3 PEOPLE REQUIRED TO TURN TABLE UPRIGHT

STEP 1

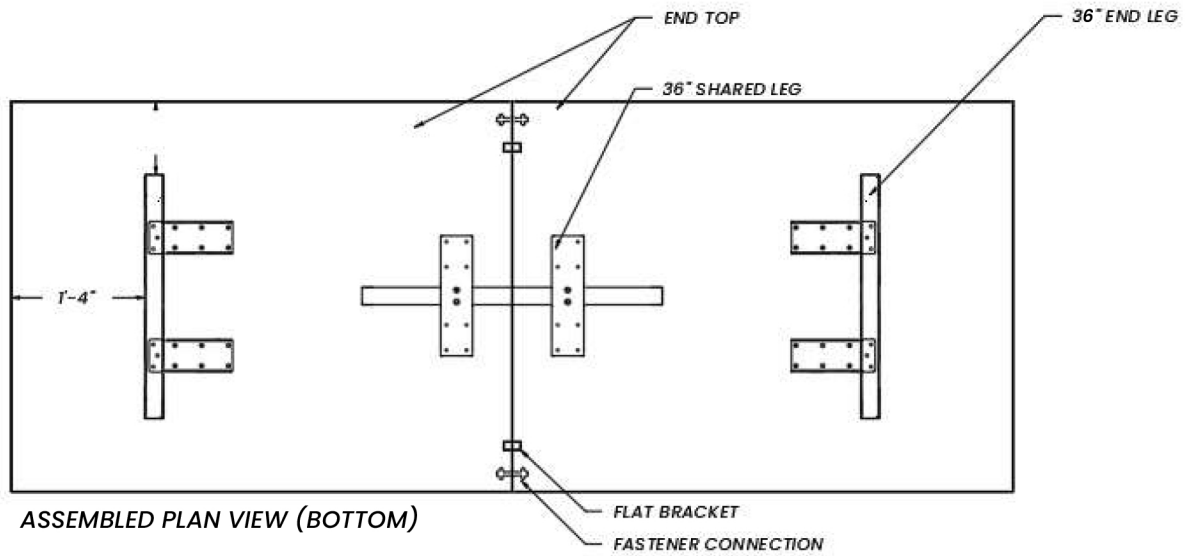
- ASSEMBLE OPEN FRAME LEGS. ATTACH LEG BRACKETS TO LEG FRAME USING FLAT HEAD MACHINE SCREW TO FASTEN. TWO SCREWS PER BRACKET.(IMAGE A)
- USE THE SOCKET HEAD MACHINE SCREWS ON THE SIDE OF THE LEG BRACKET, TIGHTEN. TWO SCREWS PER BRACKET (IMAGE B)
- REPEAT ON THE OPPOSITE SIDE FOR SHARED LEGS
- INSERT GLIDES TO THE BOTTOM OF LEG (IMAGE C)



STEP 2

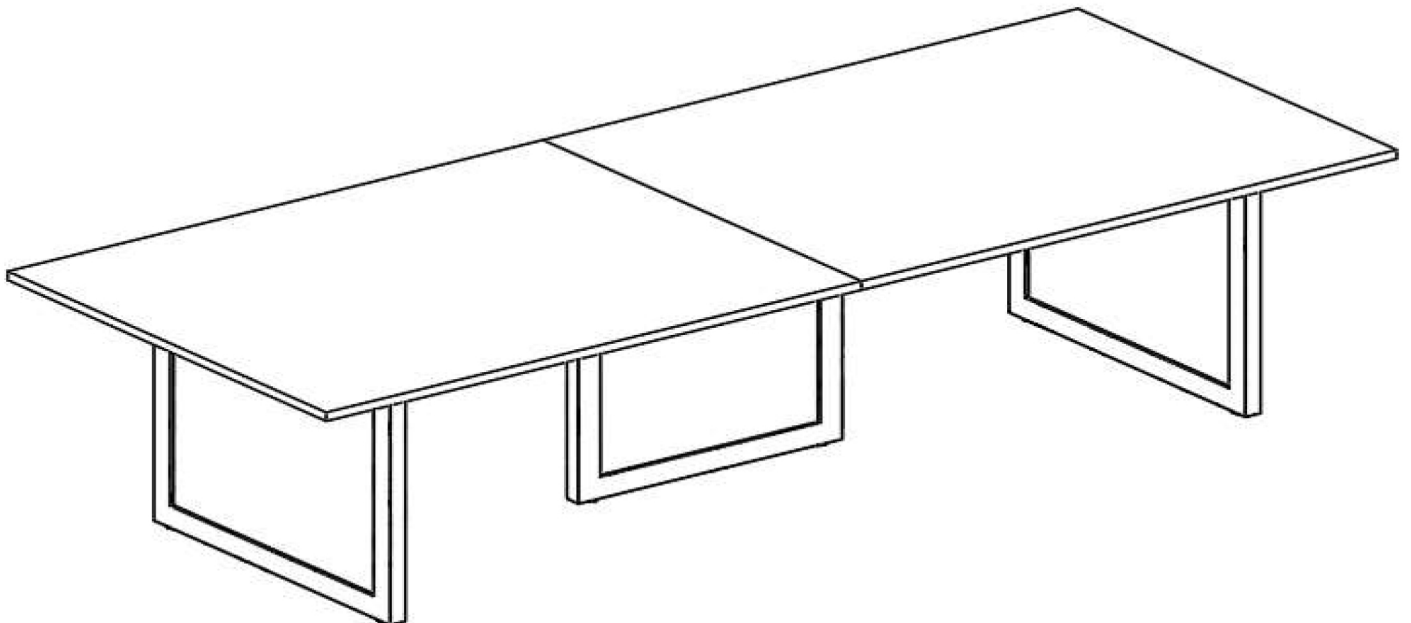
- LAY TABLE TOPS UPSIDE DOWN CONSECUTIVELY AS SHOWN BELOW IN BOTTOM VIEW REFERENCE. MAKE SURE UNFINISHED EDGES FROM EACH TOP ARE ALIGNED NEXT TO EACHOTHER.
- MEASURE AND POSITION LEGS AS ILLUSTRATED BELOW.
- USING A POWER DRILL, FASTERN THE LEGS ONTO TABLE TOPS BY USING WORK-SURFACES SCREWS
- CONNECT SURFACES WITH FASTENERS (IMAGE D) INTO NOTCHES ON TOPS AND TIGHTEN
- INSTALL FLAT BRACKETS AT SURFACE SEAMS ON TOPS AS SHOWN BELOW

PIVOT 120" FRAME CONFERENCE TABLE



STEP 3

AFTER ALL COMPONENTS HAVE BEEN FULLY ASSEMBLED AND ATTACHED USE EXTREME CAUTION TO FLIP TABLE RIGHTSIDE UP. 2 OR 3 PEOPLE REQUIRED TO FLIP TABLE.



PIVIT 144" FRAME CONFERENCE TABLE

PARTS LIST

- 36" SHARED LEG (2)
- 36" END LEG (2)
- FLAT BRACKET (4)
- SURFACE FASTENERS (4)
- BISCUITS (4)
- END SECTION TOP (2)
- MIDDLE SECTION TOP (1)

REQUIRED TOOLS

- DRILL & PHILLIPS HEAD BIT
- ALLEN WRENCH
- TAPE MEASURE

IMPORTANT INFORMATION PRIOR TO ASSEMBLY

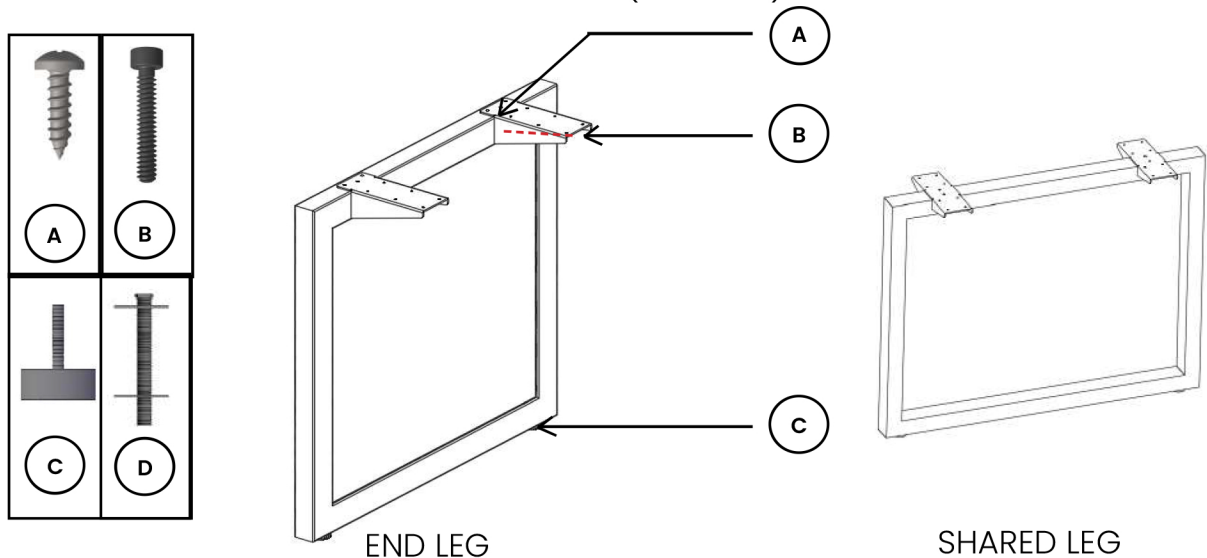
ASSEMBLE TABLE ON A CARPETED, SOFT, OR PROTECTED AREA WHERE INSTALLTION WILL OCCUR

DO NOT DRAG ASSEMBLED TABLE

2 PEOPLE NEEDED FOR ASSEMBLY. 3 PEOPLE REQUIRED TO TURN TABLE UPRIGHT

STEP 1

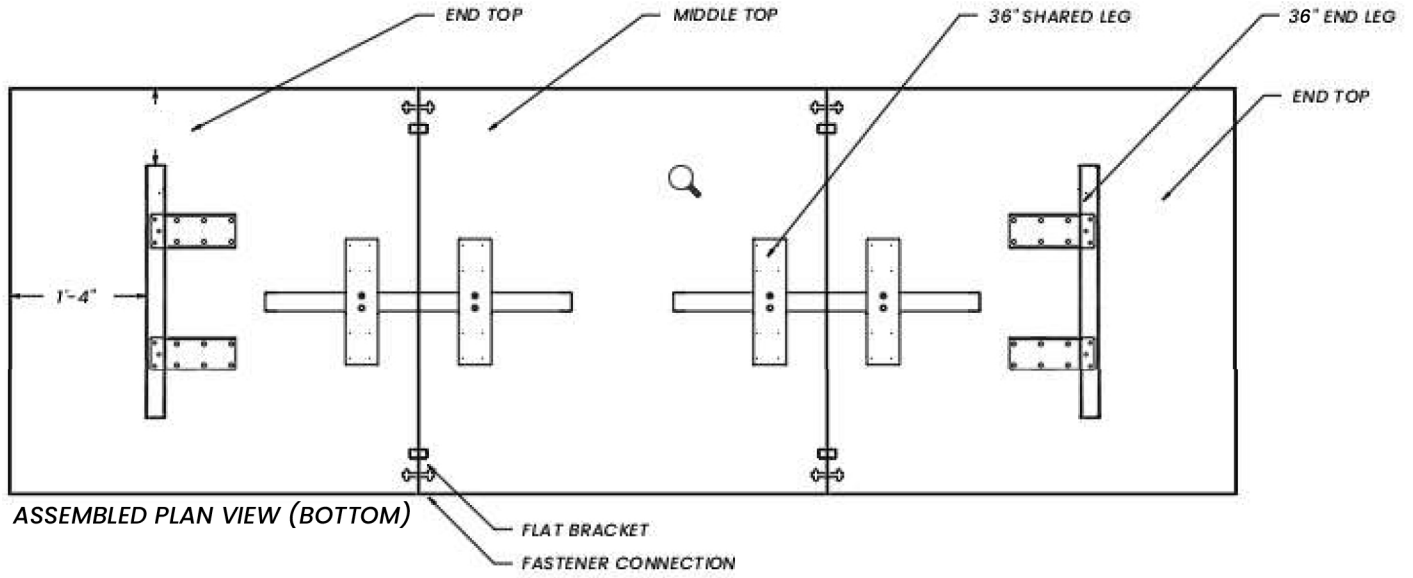
- ASSEMBLE OPEN FRAME LEGS. ATTACH LEG BRACKETS TO LEG FRAME USING FLAT HEAD MACHINE SCREW TO FASTEN. TWO SCREWS PER BRACKET.(IMAGE A)
- USE THE SOCKET HEAD MACHINE SCREWS ON THE SIDE OF THE LEG BRACKET, TIGHTEN. TWO SCREWS PER BRACKET (IMAGE B)
- REPEAT ON THE OPPOSITE SIDE FOR SHARED LEGS
- INSERT GLIDES TO THE BOTTOM OF LEG (IMAGE C)



STEP 2

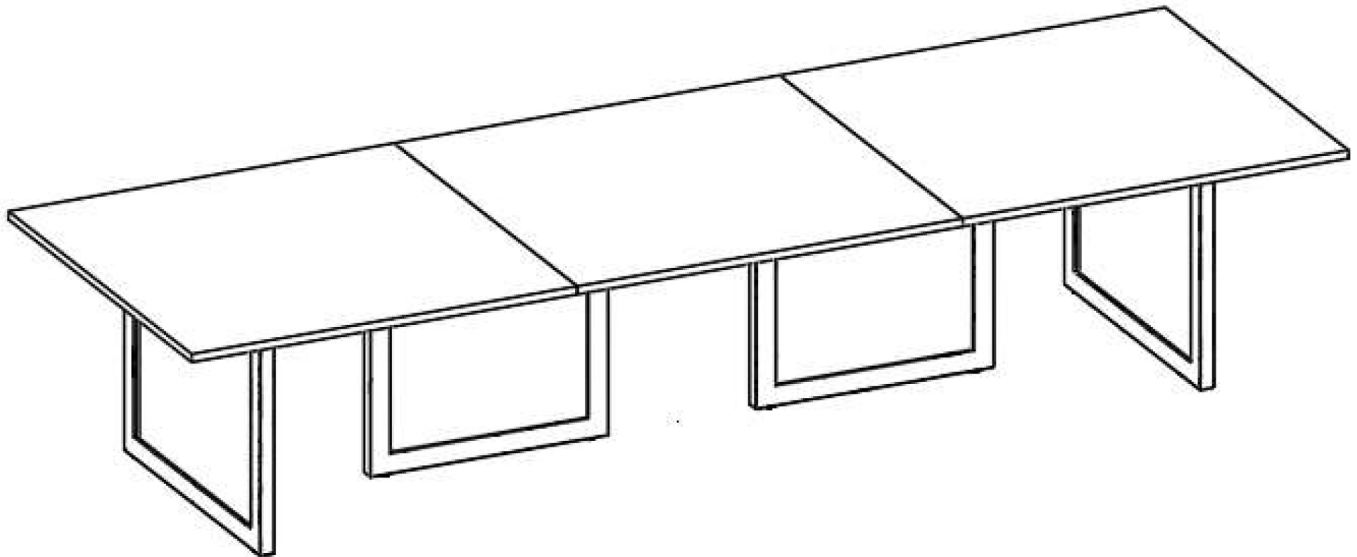
- LAY TABLE TOPS UPSIDE DOWN CONSECUTIVELY AS SHOWN BELOW IN BOTTOM VIEW REFERENCE. MAKE SURE UNFINISHED EDGES FROM EACH TOP ARE ALIGNED NEXT TO EACHOTHER.
- MEASURE AND POSITION LEGS AS ILLUSTRATED BELOW.
- USING A POWER DRILL, FASTERN THE LEGS ONTO TABLE TOPS BY USING WORKSURFACES SCREWS
- CONNECT SURFACES WITH FASTENERS (IMAGE D) INTO NOTCHES ON TOPS AND TIGHTEN
- INSTALL FLAT BRACKETS AT SURFACE SEAMS ON TOPS AS SHOWN BELOW

PIVIT 144" FRAME CONFERENCE TABLE



STEP 3

AFTER ALL COMPONENTS HAVE BEEN FULLY ASSEMBLED AND ATTACHED USE EXTREME CAUTION TO FLIP TABLE RIGHTSIDE UP. 2 OR 3 PEOPLE REQUIRED TO FLIP TABLE.



OPTIONAL POWER GROMMET INSTALLATION

PARTS LIST



Power Unit
(2) 96" & 120 Table Size
(3) 144" Table Size



(1) Lock Ring per grommet



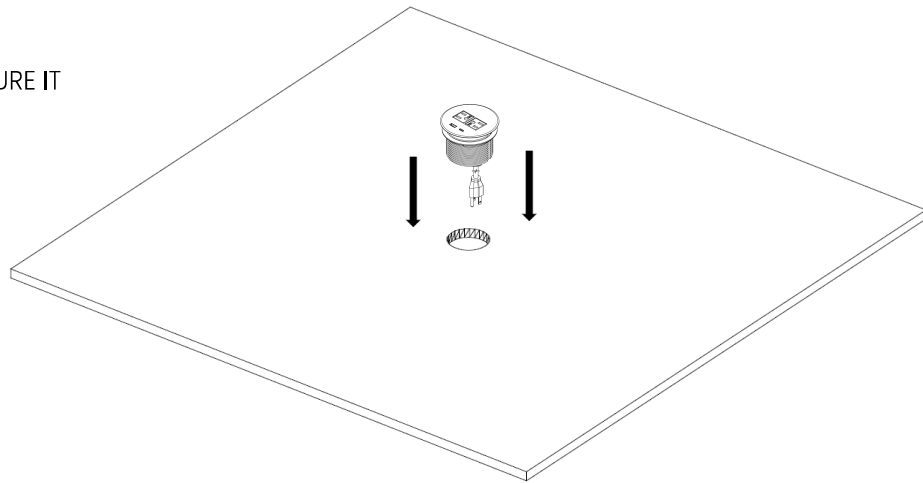
(4) Cable Clamps per grommet

IMPORTANT INFORMATION

- 6 FT CORD LENGTH
- USB-A AND USB-C PORTS FOR CHARGING USE ONLY
- POWER OUTLET RATED 10A/125V
- USB-A RATED FOR 18W
- USB-C RATED FOR 20W
- 3-15/16" OVERALL DIAMETER
- FOR INDOOR USE ONLY
- FOR USE ON A DRY WORKSURFACE

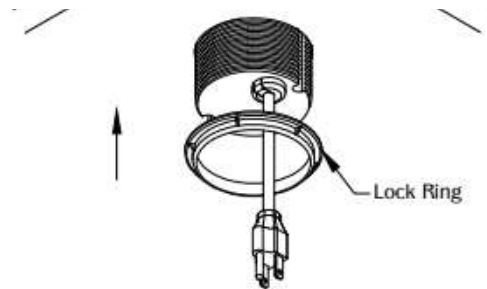
STEP 1

INSTALL UNIT INTO THE CUTOUT AND MAKE SURE IT IS FULLY LEVELED INTO WORKSURFACE



STEP 2

ON THE UNDERSIDE OF TABLETOP, GUIDE LOCK RING THROUGH THE CABLE AND SECURE THE UNIT BY TURNING THE LOCK RING CLOCKWISE



STEP 3

USE OPTIONAL CORD MANAGEMENT CLAMPS TO SECURE CORD TO UNDERSIDE OF TABLETOP

***UL listed and tested to meet UL962A (Furniture Power and Distribution Units) UL File No. E503209. Electrical codes vary by location. Please check with your electrician to verify that this unit meets your local code before installing.