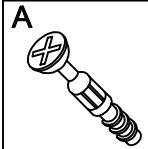
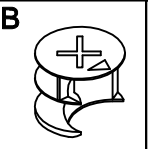
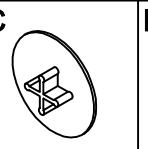
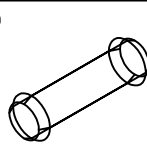
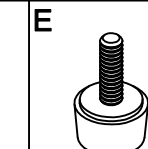
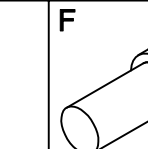
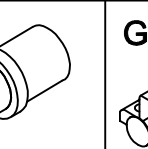
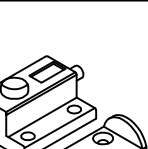
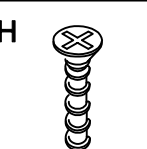
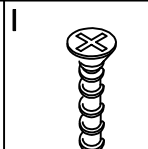
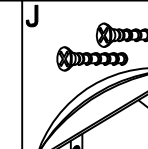
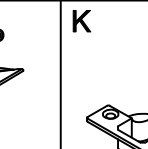
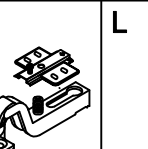
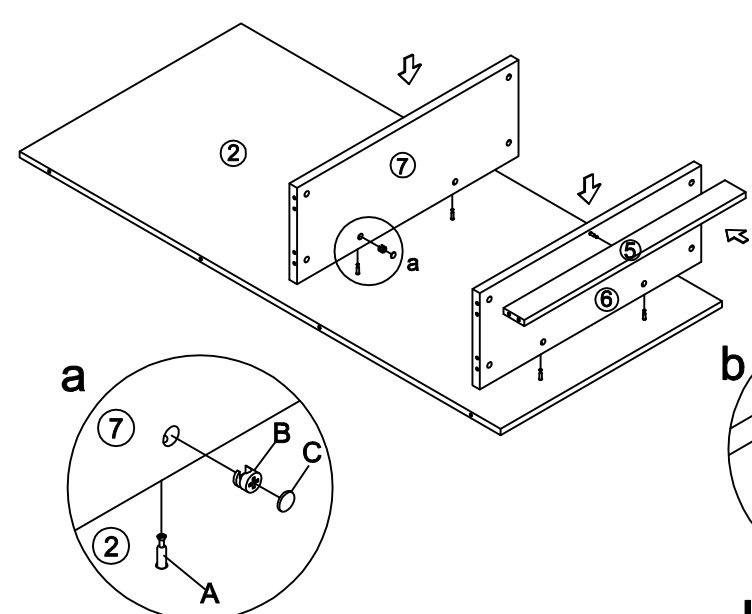


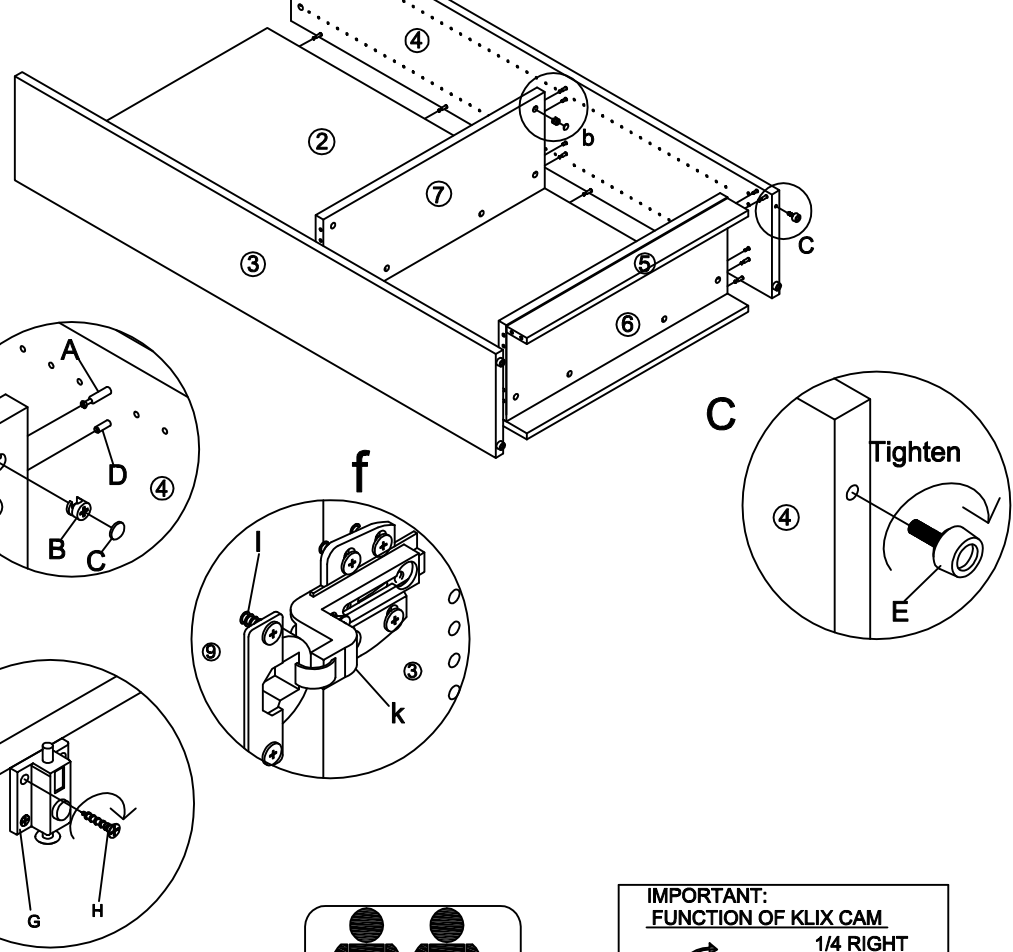
Assembly Instructions  
**MODEL NO.: PLSC3666**  
 STORAGE CABINET

TUN010CL	TUN011KC		TUN026	TUN030AG	TUN020SG				TUN005MH	TUN022DH	TUN018SC	
												
Cam lock 30Pcs	Klix Cam 30Pcs	30Pcs	Dowel 23Pcs+1Pc(spare)	Adjustable Glide 4 Pcs	Shelf dowel 12Pcs+1Pc(spare)	1 Pcs	Screw Ø3.5x12 8Pcs+1Pc(spare)	Screw Ø4x16 48Pcs+1Pc(spare)	96mm Metal scallop shape 1set	Center door hinge 8Pcs	Screw 4XØ19 4Pcs+1Pc(spare)	Keys 1set

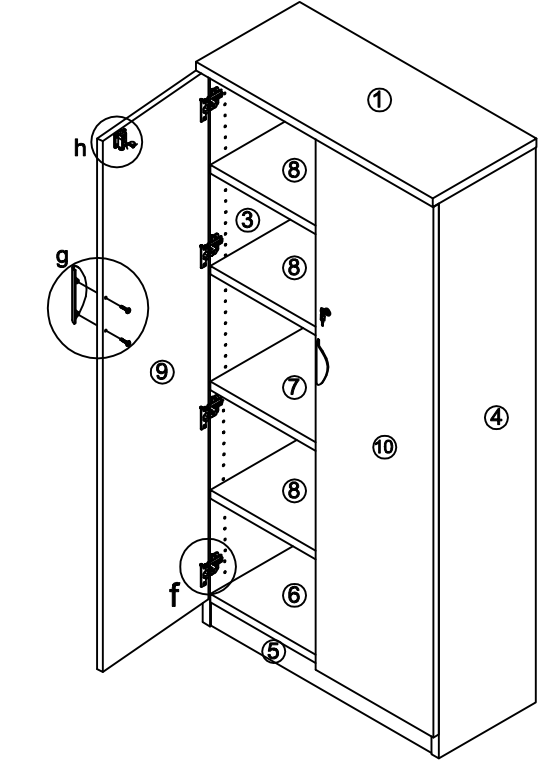
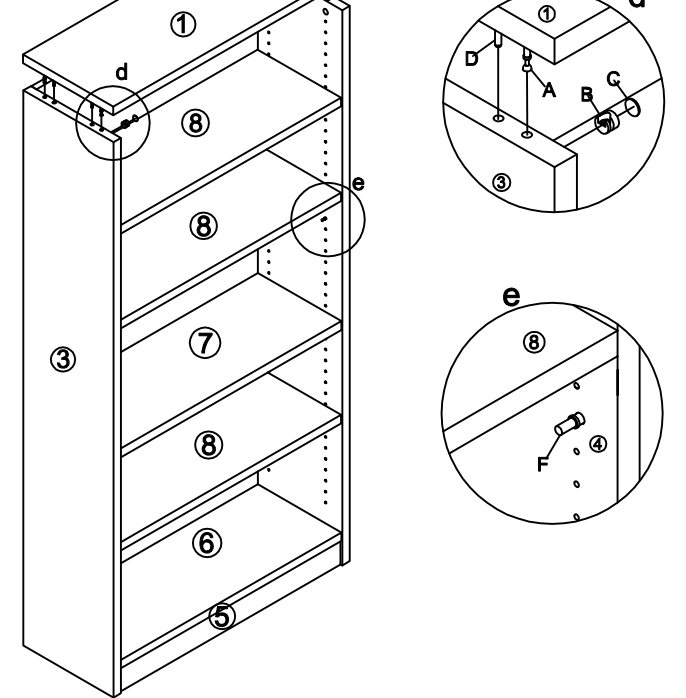
**STEP1**



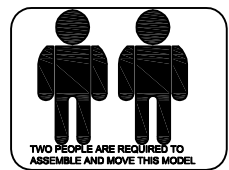
**STEP2**



**STEP3**



**COMPLETED ASSEMBLY**



**IMPORTANT:**  
**FUNCTION OF KLIX CAM**  
 1/4 RIGHT  
 TURN FOR  
 LOCKING  
 MAKE SURE THE ARROW IS  
 POINTING UPWARDS BEFORE  
 INSERTING INTO THE PANELS  
 HOLE

**IMPORTANT NOTE:**

- Place all laminated parts on a clean and smooth surface such as a rug or carpet to avoid the parts from being scratched.
- Check to be sure that you have all parts and hardware.
- Remove all wrapping materials, including staples & packing straps before you start to assemble.
- Don't tighten all screws/bolts until all completely assembled.
- Keep all hardware parts out of reach of children

