


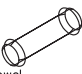



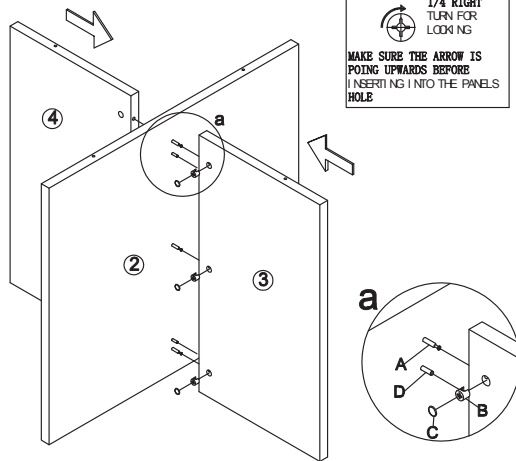


Pivot Round 42" Conference Table

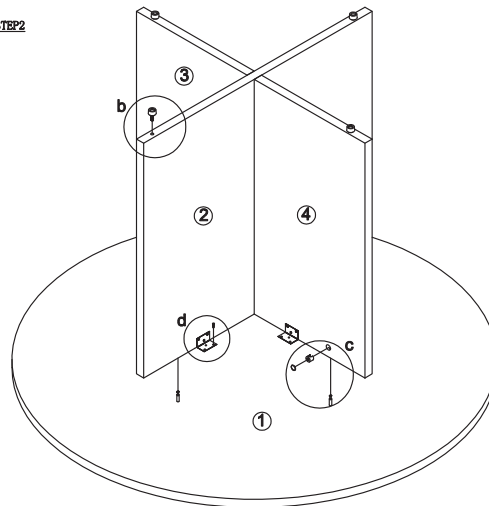
Assembly Instructions

A	TUN010CL	B	TUN011KC	C	TUN026	E	TUN021AG	F	TUN018SC	G	TUN013LB		
	Cam lock 10Pcs+1Pc(spare)		Klix Cam 10Pcs+1Pc(spare)		Cam Cover 10Pcs+1Pc(spare)		Dowel 4Pcs+1Pc(spare)		Adjustable Glide 4Pcs		screw#4*5" 24Pcs+1Pc(spare)		6Hole L-Bracket 4Pcs

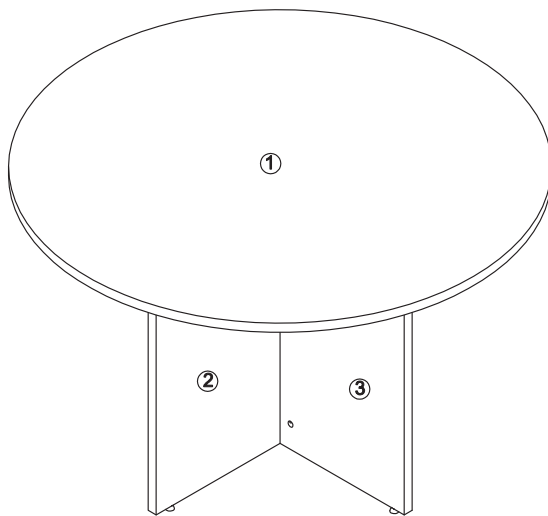
STEP 1



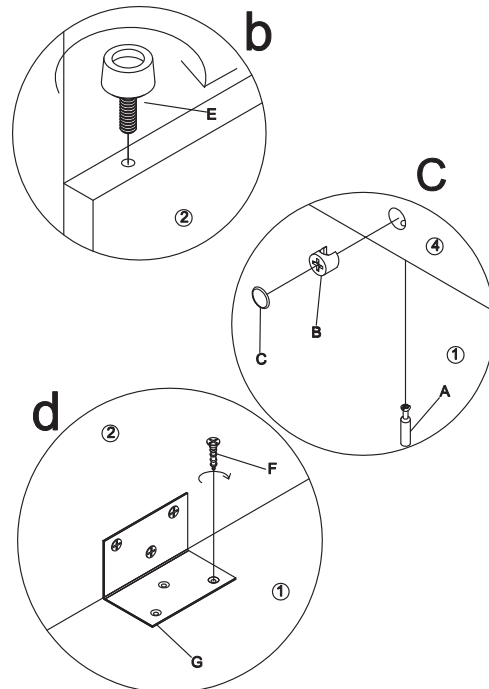
STEP 2



STEP 3



COMPLETED ASSEMBLY



NOTES

- Place all laminated parts on a clean and smooth surface such as a rug or carpet to avoid the parts from being scratched.
- Check to be sure that you have all parts and hardware.
- Remove all wrapping materials, including staples and packing straps before you start to assemble.
- Keep all hardware parts out of reach of children.